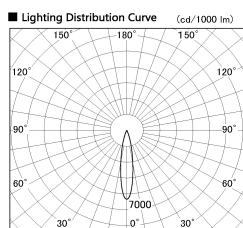


Item no. DD091-0520B9030

Series Name: Φ 80 Series Lens Type

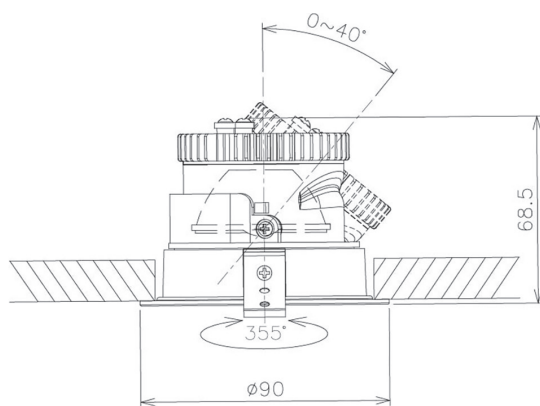


Installation	Recessed mount
Type	
Fixture wattage	5W
Beam angle	20 deg
Color Temp.	3000K
CRI	Ra>90
Luminous	424 lm
Body	Die-cast aluminum alloy
Body finish	N/A
Trim finish	Black
Reflector finish	N/A
IP Rate	IP20
Light source	COB module
Input Voltage	AC220~240V
Dimming Type	Non-Dimmable
Certificate	CE, CCC
Cut Hole	80mm



■ Direct Horizontal Illuminance DD091-0520B9030

φ	Illuminance Angle	Beam Angle	Vertical Illuminance(lx)
	19°	19°	10360
330	1	5000	2590
		2000	1150
660	2	1000	650
		500	410
1000	3		290
			210
1380	m	1	160



Height (Weight)	
36.0W	138 (0.7kg)
28.5W	138 (0.7kg)
21.0W	98 (0.6kg)
14.2W	98 (0.6kg)
7.4W	78 (0.6kg)
5.0W	78 (0.4kg)

