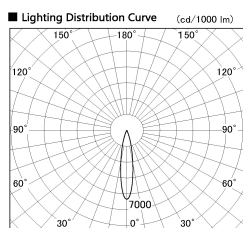


Item no. DD091-0520B9035

Series Name: Φ 80 Series Lens Type

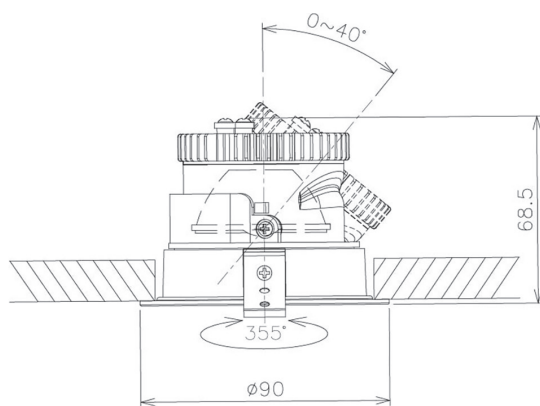


Installation	Recessed mount
Type	Φ 80 Series Lens Type
Fixture wattage	5W
Beam angle	20 deg
Color Temp.	3500K
CRI	Ra>90
Luminous	432 lm
Body	Die-cast aluminum alloy
Body finish	N/A
Trim finish	Black
Reflector finish	N/A
IP Rate	IP20
Light source	COB module
Input Voltage	AC220~240V
Dimming Type	Non-Dimmable
Certificate	CE, CCC
Cut Hole	80mm



■ Direct Horizontal Illuminance DD091-0520B9035

Illuminance Angle	Beam Angle	Vertical Illuminance (lx)
19°	19°	10550
330	1	2640
660	2	1170
1000	3	660
1330	m	420
	1	290
	2	220
	3	160



Height (Weight)	
36.0W	138 (0.7kg)
28.5W	138 (0.7kg)
21.0W	98 (0.6kg)
14.2W	98 (0.6kg)
7.4W	78 (0.6kg)
5.0W	78 (0.4kg)

