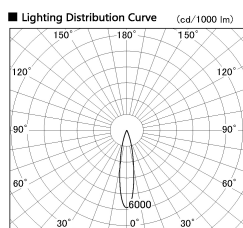


Item no. DD091-0820B9027

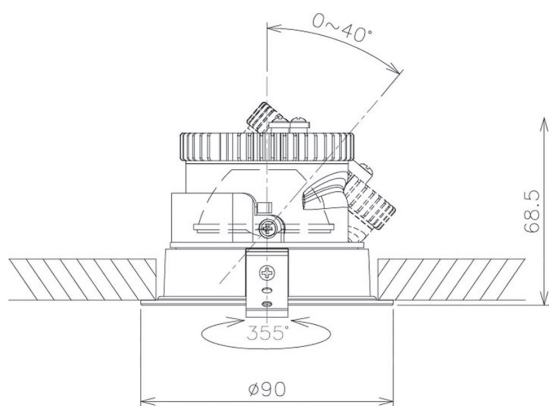
Series Name: Φ 80 Series Lens Type



■ Direct Horizontal Illuminance DD091-0820B9027

Illuminance Angle	Beam Angle	Vertical Illuminance (lx)
19°	0	12370
	1	3090
	2	1370
	3	770
	1000	490
	1330	340
20°	0	250
	1	190
	2	190

Installation Type	Recessed mount
Fixture wattage	7.4W
Beam angle	20 deg
Color Temp.	2700K
CRI	Ra>90
Luminous	526 lm
Body	Die-cast aluminum alloy
Body finish	N/A
Trim finish	Black
Reflector finish	N/A
IP Rate	IP20
Light source	COB module
Input Voltage	AC220~240V
Dimming Type	Non-Dimmable
Certificate	CE, CCC
Cut Hole	80mm



Height (Weight)	
36.0W	138 (0.7kg)
28.5W	138 (0.7kg)
21.0W	98 (0.6kg)
14.2W	98 (0.6kg)
7.4W	78 (0.6kg)
5.0W	78 (0.4kg)

