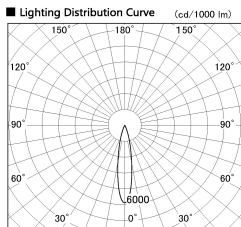


Item no. DD091-0820B9030

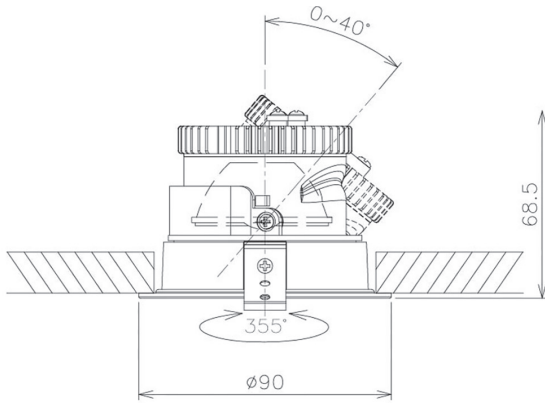
Series Name: Φ80 Series Lens Type



■ Direct Horizontal Illuminance DD091-0820B9030

| Beam Angle | Vertical Illuminance (lx) |
|------------|---------------------------|
| 19° | 12890 |
| 19° | 3220 |
| 20° | 1430 |
| 20° | 810 |
| 20° | 520 |
| 20° | 360 |
| 20° | 260 |
| 20° | 200 |

| | |
|------------------|-------------------------|
| Installation | Recessed mount |
| Type | Φ80 Series Lens Type |
| Fixture wattage | 7.4W |
| Beam angle | 20 deg |
| Color Temp. | 3000K |
| CRI | Ra>90 |
| Luminous | 548 lm |
| Body | Die-cast aluminum alloy |
| Body finish | N/A |
| Trim finish | Black |
| Reflector finish | N/A |
| IP Rate | IP20 |
| Light source | COB module |
| Input Voltage | AC220~240V |
| Dimming Type | Non-Dimmable |
| Certificate | CE, CCC |
| Cut Hole | 80mm |



| Height (Weight) | |
|-----------------|-------------|
| 36.0W | 138 (0.7kg) |
| 28.5W | 138 (0.7kg) |
| 21.0W | 98 (0.6kg) |
| 14.2W | 98 (0.6kg) |
| 7.4W | 78 (0.6kg) |
| 5.0W | 78 (0.4kg) |

