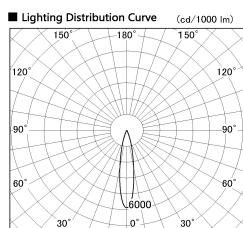


Item no. DD091-0820B9035

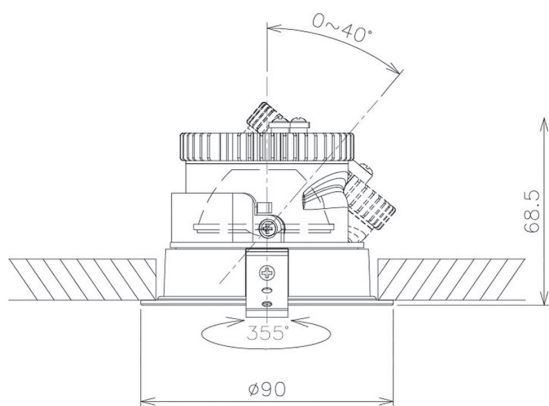
Series Name:  $\Phi$ 80 Series Lens Type



■ Direct Horizontal Illuminance DD091-0820B9035

Illuminance Angle	Beam Angle	Vertical Illuminance (lx)	
		1m	2m
19°	1	13150	3290
	2	1460	820
20°	3	530	370
	m	270	210

Installation	Recessed mount
Type	$\Phi$ 80 Series Lens Type
Fixture wattage	7.4W
Beam angle	20 deg
Color Temp.	3500K
CRI	Ra>90
Luminous	559 lm
Body	Die-cast aluminum alloy
Body finish	N/A
Trim finish	Black
Reflector finish	N/A
IP Rate	IP20
Light source	COB module
Input Voltage	AC220~240V
Dimming Type	Non-Dimmable
Certificate	CE, CCC
Cut Hole	80mm



Height (Weight)	
36.0W	138 (0.7kg)
28.5W	138 (0.7kg)
21.0W	98 (0.6kg)
14.2W	98 (0.6kg)
7.4W	78 (0.6kg)
5.0W	78 (0.4kg)

