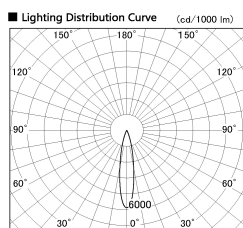


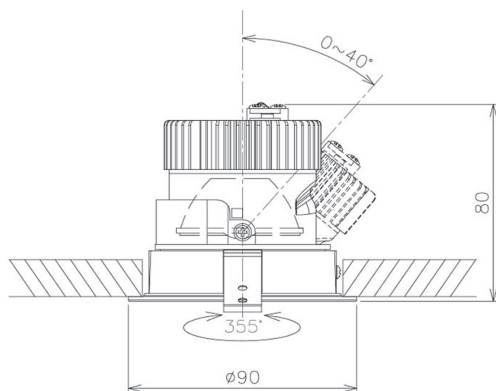
Item no. DD091-1420B9027

Series Name: Φ 80 Series Lens Type

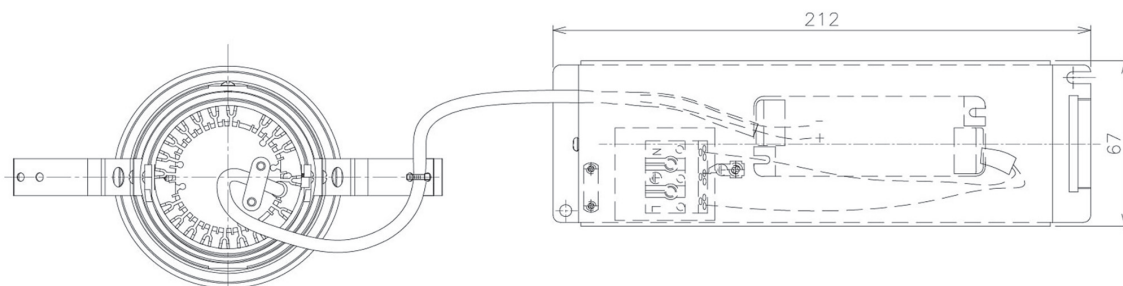


■ Direct Horizontal Illuminance DD091-1420B9027

φ	Illuminance Angle	Beam Angle	Vertical Illuminance (lx)	
			1	2
330	19°	1	24250	6060
660	19°	2	2690	1520
1000	19°	3	970	670
1330	19°	m	490	380
		1	500	380
		2		



Height (Weight)	
36.0W	138 (0.7kg)
28.5W	138 (0.7kg)
21.0W	98 (0.6kg)
14.2W	98 (0.6kg)
7.4W	78 (0.6kg)
5.0W	78 (0.4kg)



Installation	Recessed mount
Type	Φ 80 Series Lens Type
Fixture wattage	14.2W
Beam angle	20 deg
Color Temp.	2700K
CRI	Ra>90
Luminous	1031 lm
Body	Die-cast aluminum alloy
Body finish	N/A
Trim finish	Black
Reflector finish	N/A
IP Rate	IP20
Light source	COB module
Input Voltage	AC220~240V
Dimming Type	Non-Dimmable
Certificate	CE, CCC
Cut Hole	80mm