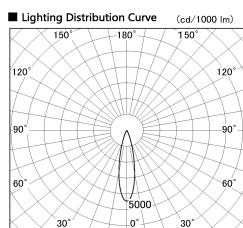


Item no. DD091-2125B9030

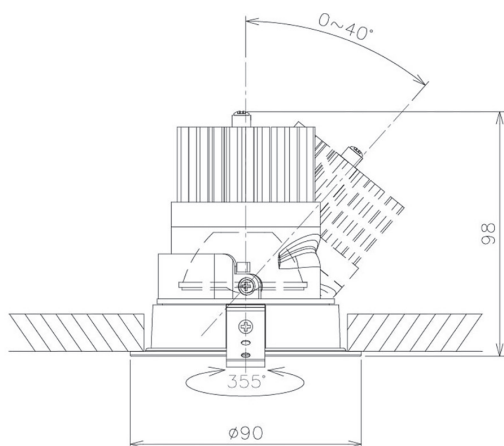
Series Name:  $\Phi$ 80 Series Lens Type



■ Direct Horizontal Illuminance DD091-2125B9030

Illuminance Angle	Beam Angle	Vertical Illuminance (lx)	
		1m	2m
23°	24°	25150	6290
10000		2790	1570
5000		1010	700
2000		510	390
1000			

Installation	Recessed mount
Type	
Fixture wattage	21W
Beam angle	25 deg
Color Temp.	3000K
CRI	Ra>90
Luminous	1403 lm
Body	Die-cast aluminum alloy
Body finish	N/A
Trim finish	Black
Reflector finish	N/A
IP Rate	IP20
Light source	COB module
Input Voltage	AC220~240V
Dimming Type	Non-Dimmable
Certificate	CE, CCC
Cut Hole	80mm



Height (Weight)	
36.0W	138 (0.7kg)
28.5W	138 (0.7kg)
21.0W	98 (0.6kg)
14.2W	98 (0.6kg)
7.4W	78 (0.6kg)
5.0W	78 (0.4kg)

