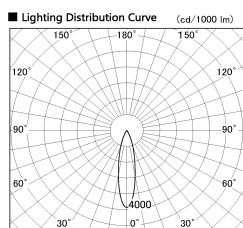


Item no. DD091-3620B9027

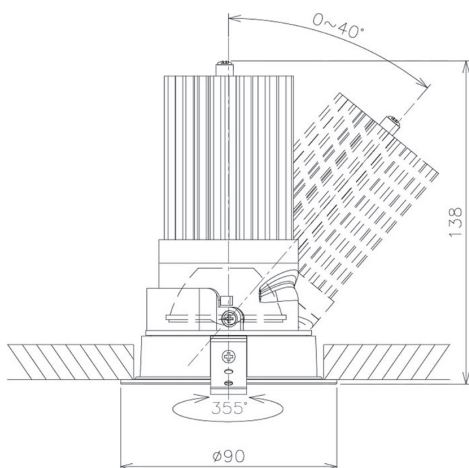
Series Name: Φ 80 Series Lens Type



■ Direct Horizontal Illuminance DD091-3620B9027

Beam Angle	Vertical Illuminance (lx)
23°	37330
24°	9330
10000	4150
5000	2330
2000	1490
1000	1040
760	760
580	580

Installation Type	Recessed mount
Fixture wattage	36W
Beam angle	25 deg
Color Temp.	2700K
CRI	Ra>90
Luminous	2393 lm
Body	Die-cast aluminum alloy
Body finish	N/A
Trim finish	Black
Reflector finish	N/A
IP Rate	IP20
Light source	COB module
Input Voltage	AC220~240V
Dimming Type	Non-Dimmable
Certificate	CE, CCC
Cut Hole	80mm



Height (Weight)	
36.0W	138 (0.7kg)
28.5W	138 (0.7kg)
21.0W	98 (0.6kg)
14.2W	98 (0.6kg)
7.4W	78 (0.6kg)
5.0W	78 (0.4kg)

