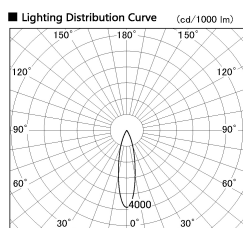


Item no. DD091-3620B9030

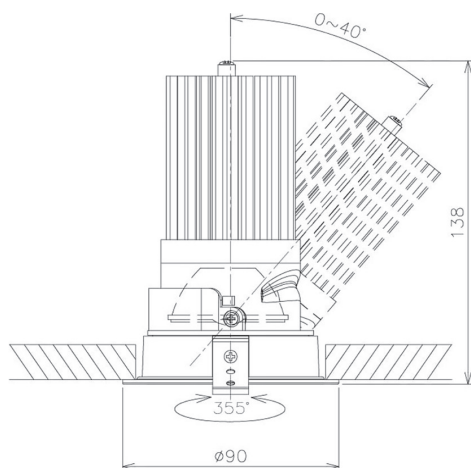
Series Name: Φ80 Series Lens Type



■ Direct Horizontal Illuminance DD091-3620B9030

φ	Illuminance Angle	Beam Angle	Vertical Illuminance (lx)
400	23°	24°	38900
810	1		9730
1220	2		4320
1620	3		2430
	1	1	1560
	1	2	1080
	1	3	790
	1	4	610

Installation	Recessed mount
Type	
Fixture wattage	36W
Beam angle	25 deg
Color Temp.	3000K
CRI	Ra>90
Luminous	2494 lm
Body	Die-cast aluminum alloy
Body finish	N/A
Trim finish	Black
Reflector finish	N/A
IP Rate	IP20
Light source	COB module
Input Voltage	AC220~240V
Dimming Type	Non-Dimmable
Certificate	CE, CCC
Cut Hole	80mm



Height (Weight)	
36.0W	138 (0.7kg)
28.5W	138 (0.7kg)
21.0W	98 (0.6kg)
14.2W	98 (0.6kg)
7.4W	78 (0.6kg)
5.0W	78 (0.4kg)

