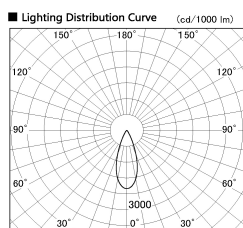


Item no. DD091-3635B9027

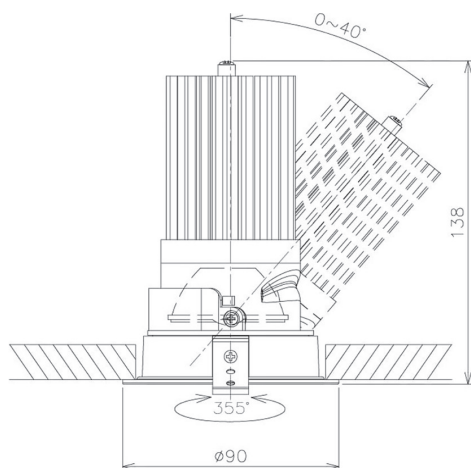
Series Name:  $\Phi$ 80 Series Lens Type



■ Direct Horizontal Illuminance DD091-3635B9027

φ	Illuminance Angle	Beam Angle	Vertical Illuminance (lx)
	34°	37°	21790
610	1	10000	5450
		5000	2420
1220	2	2000	1360
		1000	870
1830	3	500	610
			440
2440	m	1 0 1 2	340

Installation	Recessed mount
Type	
Fixture wattage	36W
Beam angle	35 deg
Color Temp.	2700K
CRI	Ra>90
Luminous	2464 lm
Body	Die-cast aluminum alloy
Body finish	N/A
Trim finish	Black
Reflector finish	N/A
IP Rate	IP20
Light source	COB module
Input Voltage	AC220~240V
Dimming Type	Non-Dimmable
Certificate	CE, CCC
Cut Hole	80mm



Height (Weight)	
36.0W	138 (0.7kg)
28.5W	138 (0.7kg)
21.0W	98 (0.6kg)
14.2W	98 (0.6kg)
7.4W	78 (0.6kg)
5.0W	78 (0.4kg)

