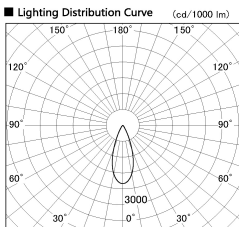


Item no. DD091-3635B9040

Series Name: Φ 80 Series Lens Type



■ Direct Horizontal Illuminance DD091-3635B9040

Beam Angle	Vertical Illuminance (lx)
34°	23310
37°	5830
10000	2590
5000	1460
2000	930
1000	650
500	480
360	360

Installation Recessed mount

Type

Fixture wattage 36W

Beam angle 35 deg

Color Temp. 4000K

CRI Ra>90

Luminous 2636 lm

Body Die-cast aluminum alloy

Body finish N/A

Trim finish Black

Reflector finish N/A

IP Rate IP20

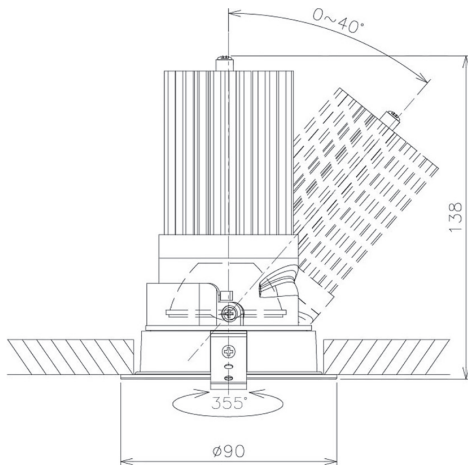
Light source COB module

Input Voltage AC220~240V

Dimming Type Non-Dimmable

Certificate CE, CCC

Cut Hole 80mm



Height (Weight)	
36.0W	138 (0.7kg)
28.5W	138 (0.7kg)
21.0W	98 (0.6kg)
14.2W	98 (0.6kg)
7.4W	78 (0.6kg)
5.0W	78 (0.4kg)

