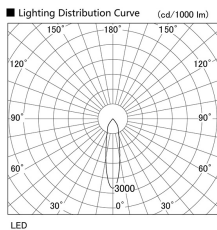


Item no. DD098-3420DW9035

Series Name:  $\Phi$ 150 Spark



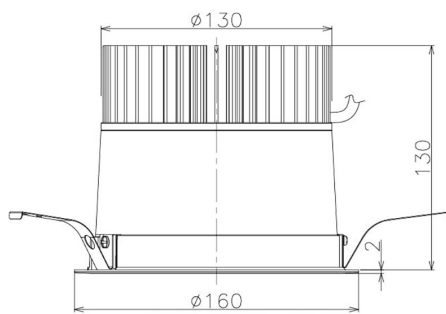
Dark Mirror Reflector



Illuminance Angle	Beam Angle	Vertical Illuminance(cd)
$22^{\circ}$	$23^{\circ}$	32690
		8170
		3630
		2040
		1310
		910
		670
		510

Luminous flux : 2905 lm

Installation	Recessed mount
Type	
Fixture wattage	33.8W
Beam angle	23 deg
Color Temp.	3500K
CRI	Ra>90
Luminous	2903 lm
Body	Die-cast aluminum alloy
Body finish	N/A
Trim finish	White
Reflector finish	Dark Mirror
IP Rate	IP20
Light source	COB module
Input Voltage	AC220~240V
Dimming Type	Non-Dimmable
Certificate	CE, CCC
Cut Hole	150mm



Height (Weight)	
65.3W	152 (1.5kg)
48.5W	152 (1.5kg)
44.3W	132 (1.3kg)
33.8W	132 (1.3kg)
30.3W	132 (1.3kg)
23.0W	102 (1.0kg)

