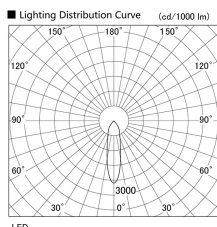


Item no. DD098-6520DB9040

Series Name:  $\Phi$ 150 Spark



Dark Mirror Reflector

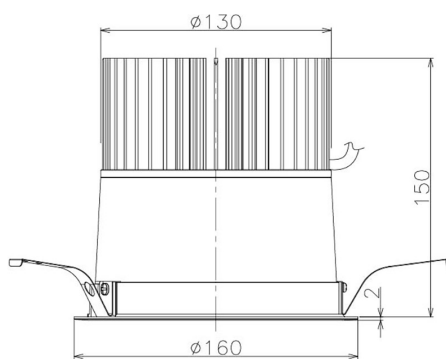


■ Direct Horizontal Illuminance DD098-6520DB9040

Beam Angle	Vertical Illuminance (lx)
24°	61460
	15360
	6830
	3840
	2460
	1710
	1250
	960

Luminous flux : 6090 lm

Installation	Recessed mount
Type	
Fixture wattage	65.3W
Beam angle	25 deg
Color Temp.	4000K
CRI	Ra>90
Luminous	6092 lm
Body	Die-cast aluminum alloy
Body finish	N/A
Trim finish	Black
Reflector finish	Dark Mirror
IP Rate	IP20
Light source	COB module
Input Voltage	AC220~240V
Dimming Type	Non-Dimmable
Certificate	CE, CCC
Cut Hole	150mm



Height (Weight)	
65.3W	152 (1.5kg)
48.5W	152 (1.5kg)
44.3W	132 (1.3kg)
33.8W	132 (1.3kg)
30.3W	132 (1.3kg)
23.0W	102 (1.0kg)

