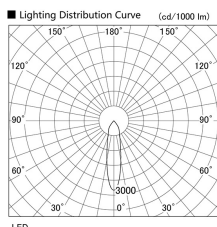


Item no. DD098-3420DW8540

Series Name: Φ 150 Spark



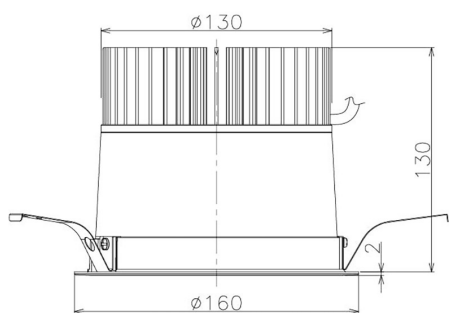
Dark Mirror Reflector



| Direct Horizontal Illuminance | | Beam Angle | | Vertical Illuminance (lx) |
|-------------------------------|------------|------------|------|---------------------------|
| Illuminance Angle | Beam Angle | 22° | 23° | |
| ϕ | | | | 36300 |
| | | | | 9080 |
| 380 | 1 | 10000 | 5000 | 4030 |
| | | | | 2270 |
| 770 | 2 | | | 1450 |
| | | | | 1010 |
| 160 | 3 | 1000 | | 740 |
| 550 | m | 1 | 1 2 | 570 |

Luminous flux : 3225 lm

| | |
|------------------|-------------------------|
| Installation | Recessed mount |
| Type | |
| Fixture wattage | 33.8W |
| Beam angle | 23 deg |
| Color Temp. | 4000K |
| CRI | Ra>85 |
| Luminous | 3224 lm |
| Body | Die-cast aluminum alloy |
| Body finish | N/A |
| Trim finish | White |
| Reflector finish | Dark Mirror |
| IP Rate | IP20 |
| Light source | COB module |
| Input Voltage | AC220~240V |
| Dimming Type | Non-Dimmable |
| Certificate | CE, CCC |
| Cut Hole | 150mm |



| Height (Weight) | |
|-----------------|-------------|
| 65.3W | 152 (1.5kg) |
| 48.5W | 152 (1.5kg) |
| 44.3W | 132 (1.3kg) |
| 33.8W | 132 (1.3kg) |
| 30.3W | 132 (1.3kg) |
| 23.0W | 102 (1.0kg) |

