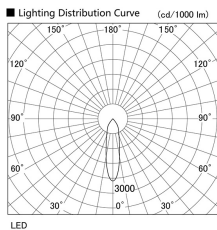


Item no. DD098-5020DW8535

Series Name: Φ 150 Spark



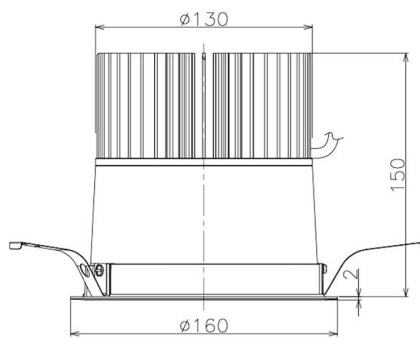
Dark Mirror Reflector



| Beam Angle | Vertical Illuminance(cd) |
|------------|--------------------------|
| 24° | 50870 |
| 25° | 12720 |
| 1m | 20000 |
| 1m | 10000 |
| 1m | 5000 |
| 2m | 2000 |
| 2m | 5650 |
| 3m | 3180 |
| 3m | 2030 |
| 3m | 1410 |
| 3m | 1040 |
| 700m | 790 |

Luminous flux : 5040 lm

| | |
|------------------|-------------------------|
| Installation | Recessed mount |
| Type | |
| Fixture wattage | 48.5W |
| Beam angle | 25 deg |
| Color Temp. | 3500K |
| CRI | Ra>85 |
| Luminous | 5042 lm |
| Body | Die-cast aluminum alloy |
| Body finish | N/A |
| Trim finish | White |
| Reflector finish | Dark Mirror |
| IP Rate | IP20 |
| Light source | COB module |
| Input Voltage | AC220~240V |
| Dimming Type | Non-Dimmable |
| Certificate | CE, CCC |
| Cut Hole | 150mm |



| Height (Weight) | |
|-----------------|-------------|
| 65.3W | 152 (1.5kg) |
| 48.5W | 152 (1.5kg) |
| 44.3W | 132 (1.3kg) |
| 33.8W | 132 (1.3kg) |
| 30.3W | 132 (1.3kg) |
| 23.0W | 102 (1.0kg) |

