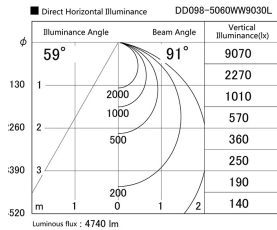
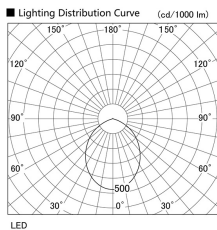


Item no. DD098-5060WW9030L

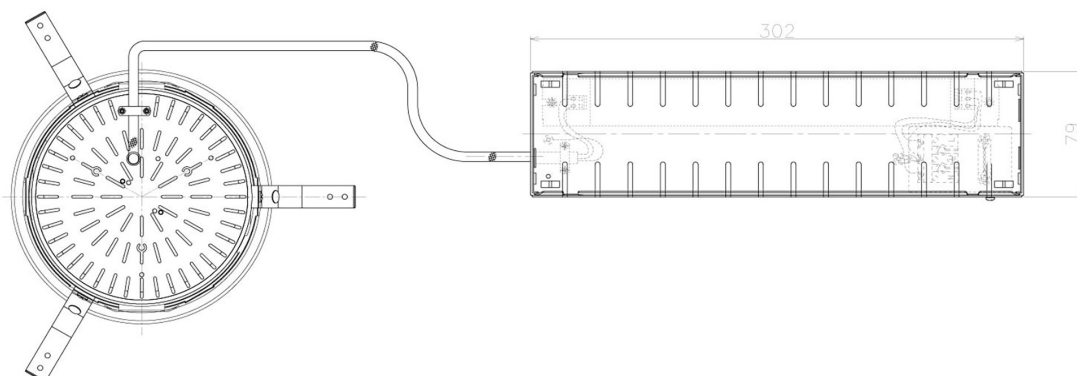
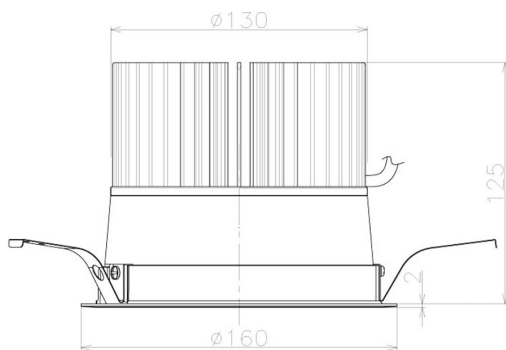
Series Name: Φ 150 Spark (Swallow Cone)



White Reflector



| | |
|------------------|-------------------------|
| Installation | Recessed mount |
| Type | |
| Fixture wattage | 48.5W |
| Beam angle | 91 deg |
| Color Temp. | 3000K |
| CRI | Ra>90 |
| Luminous | 4740 lm |
| Body | Die-cast aluminum alloy |
| Body finish | N/A |
| Trim finish | White |
| Reflector finish | White |
| IP Rate | IP20 |
| Light source | COB module |
| Input Voltage | AC220~240V |
| Dimming Type | Non-Dimmable |
| Certificate | CE, CCC |
| Cut Hole | 150mm |



| Height (Weight) | |
|-----------------|-------------|
| 65.3W | 127 (1.4kg) |
| 48.5W | 127 (1.4kg) |
| 44.3W | 108 (1.2kg) |
| 33.8W | 108 (1.2kg) |
| 30.3W | 108 (1.2kg) |
| 23.0W | 78 (0.9kg) |