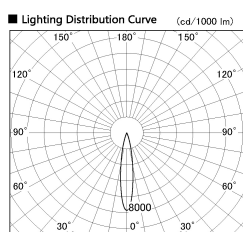


Item no. DD091-0520MW9030

Series Name: $\Phi 80$ Series Lens Type, Antiglare

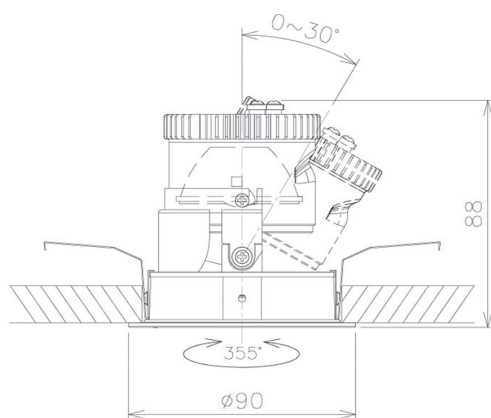


Installation	Recessed mount
Type	$\Phi 80$ Series Lens Type, Antiglare
Fixture wattage	5W
Beam angle	15 deg
Color Temp.	3000K
CRI	Ra>90
Luminous	349 lm
Body	Die-cast aluminum alloy
Body finish	N/A
Trim finish	White
Reflector finish	Mirror
IP Rate	IP20
Light source	COB module
Input Voltage	AC220~240V
Dimming Type	Non-Dimmable
Certificate	CE, CCC
Cut Hole	80mm



■ Direct Horizontal Illuminance DD091-0520MW9030

Illuminance Angle	Beam Angle	Vertical Illuminance (lx)
17°	17°	10920
1		2730
2		1210
500		680
890		440
3		300
1190		220
m	1 0 1 2	170



Height (Weight)	
36.0W	162 (0.7kg)
28.5W	162 (0.7kg)
21.0W	122 (0.6kg)
14.2W	122 (0.6kg)
7.4W	102 (0.6kg)
5.0W	102 (0.4kg)

