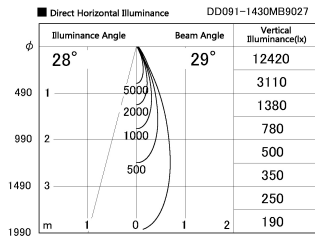
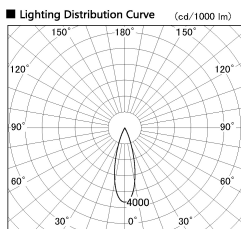
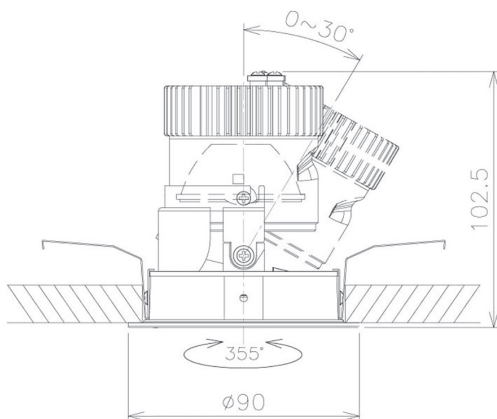


Item no. DD091-1430MB9027

Series Name: $\Phi 80$ Series Lens Type, Antiglare



| | |
|------------------|---------------------------------------|
| Installation | Recessed mount |
| Type | $\Phi 80$ Series Lens Type, Antiglare |
| Fixture wattage | 14.2W |
| Beam angle | 30 deg |
| Color Temp. | 2700K |
| CRI | Ra>90 |
| Luminous | 830 lm |
| Body | Die-cast aluminum alloy |
| Body finish | N/A |
| Trim finish | Black |
| Reflector finish | Mirror |
| IP Rate | IP20 |
| Light source | COB module |
| Input Voltage | AC220~240V |
| Dimming Type | Non-Dimmable |
| Certificate | CE, CCC |
| Cut Hole | 80mm |



| Height (Weight) | |
|-----------------|-------------|
| 36.0W | 162 (0.7kg) |
| 28.5W | 162 (0.7kg) |
| 21.0W | 122 (0.6kg) |
| 14.2W | 122 (0.6kg) |
| 7.4W | 102 (0.6kg) |
| 5.0W | 102 (0.4kg) |

