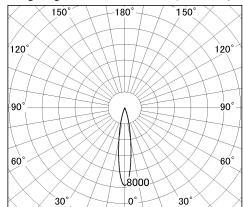


Item no. DD091-2120MW9030

Series Name:  $\Phi 80$  Series Lens Type, Antiglare



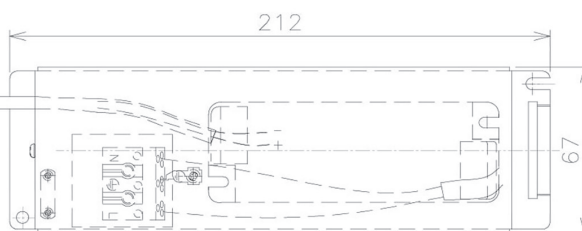
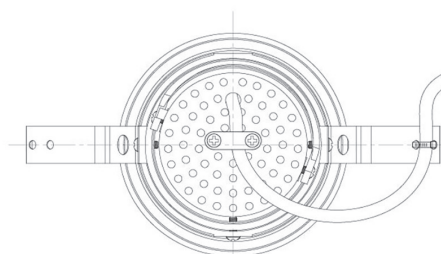
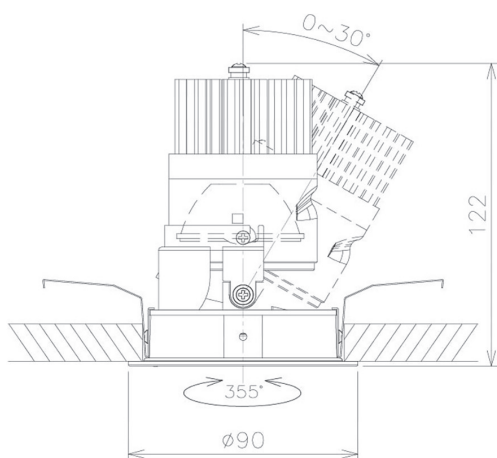
■ Lighting Distribution Curve (cd/1000 lm)



■ Direct Horizontal Illuminance DD091-2120MW9030

φ	Illuminance Angle	Beam Angle	Vertical Illuminance (lx)
1	17°	17°	34950
2			8740
3			3880
5			2180
10			1400
20			970
30			710
50			550

Installation	Recessed mount
Type	$\Phi 80$ Series Lens Type, Antiglare
Fixture wattage	21W
Beam angle	15 deg
Color Temp.	3000K
CRI	Ra>90
Luminous	1117 lm
Body	Die-cast aluminum alloy
Body finish	N/A
Trim finish	White
Reflector finish	Mirror
IP Rate	IP20
Light source	COB module
Input Voltage	AC220~240V
Dimming Type	Non-Dimmable
Certificate	CE, CCC
Cut Hole	80mm



Height (Weight)	
36.0W	162 (0.7kg)
28.5W	162 (0.7kg)
21.0W	122 (0.6kg)
14.2W	122 (0.6kg)
7.4W	102 (0.6kg)
5.0W	102 (0.4kg)