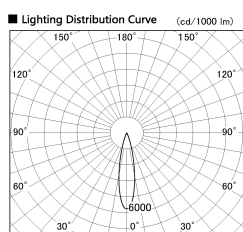


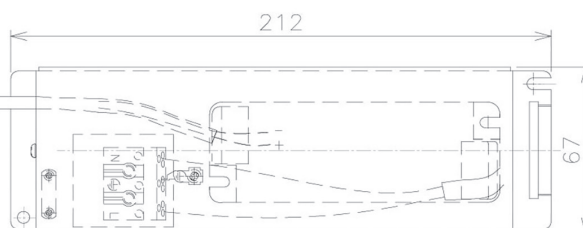
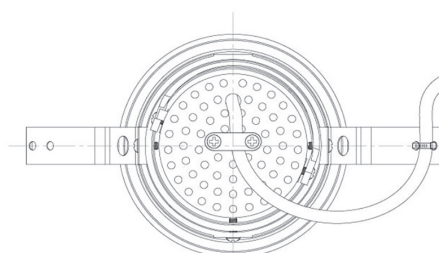
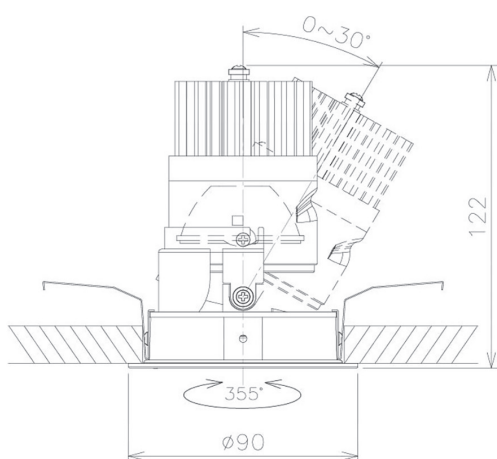
Item no. DD091-2125MW9030

Series Name: $\Phi 80$ Series Lens Type, Antiglare



■ Direct Horizontal Illuminance DD091-2125MW9030

Illuminance Angle	Beam Angle	Vertical Illuminance (lx)
21°	22°	24930
1000lx		6230
5000lx		2770
2000lx		1560
1000lx		1000
690lx		690
510lx		510
390lx		390



Installation	Recessed mount
Type	
Fixture wattage	21W
Beam angle	20 deg
Color Temp.	3000K
CRI	Ra>90
Luminous	1084 lm
Body	Die-cast aluminum alloy
Body finish	N/A
Trim finish	White
Reflector finish	Mirror
IP Rate	IP20
Light source	COB module
Input Voltage	AC220~240V
Dimming Type	Non-Dimmable
Certificate	CE, CCC
Cut Hole	80mm

Height (Weight)	
36.0W	162 (0.7kg)
28.5W	162 (0.7kg)
21.0W	122 (0.6kg)
14.2W	122 (0.6kg)
7.4W	102 (0.6kg)
5.0W	102 (0.4kg)