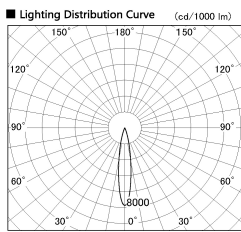


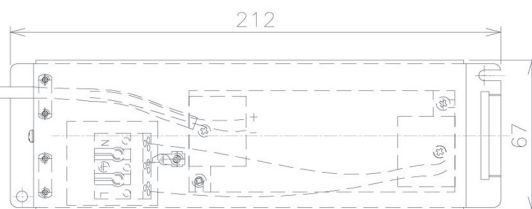
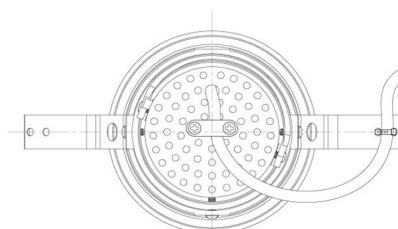
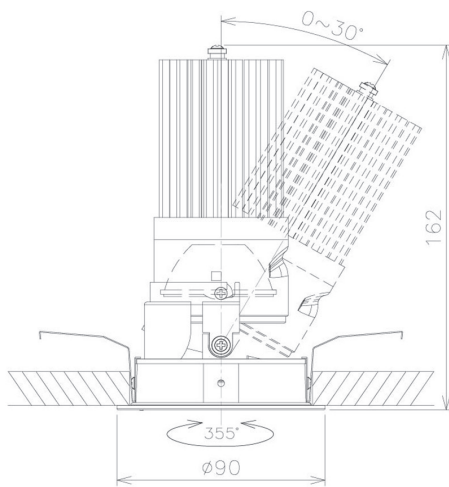
Item no. DD091-2820MW9035

Series Name:  $\Phi 80$  Series Lens Type, Antiglare



■ Direct Horizontal Illuminance DD091-2820MW9035

φ	Illuminance Angle	Beam Angle	Vertical Illuminance (lx)
	17°	17°	48490
290			12120
1			5390
500			3030
2			1940
890			1350
3			990
1190			760
m			



Installation	Recessed mount
Type	$\Phi 80$ Series Lens Type, Antiglare
Fixture wattage	28.5W
Beam angle	15 deg
Color Temp.	3500K
CRI	Ra>90
Luminous	1550 lm
Body	Die-cast aluminum alloy
Body finish	N/A
Trim finish	White
Reflector finish	Mirror
IP Rate	IP20
Light source	COB module
Input Voltage	AC220~240V
Dimming Type	Non-Dimmable
Certificate	CE, CCC
Cut Hole	80mm

Height (Weight)	
36.0W	162 (0.7kg)
28.5W	162 (0.7kg)
21.0W	122 (0.6kg)
14.2W	122 (0.6kg)
7.4W	102 (0.6kg)
5.0W	102 (0.4kg)