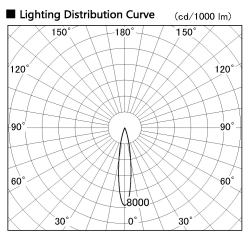


Item no. DD091-2820MW9040

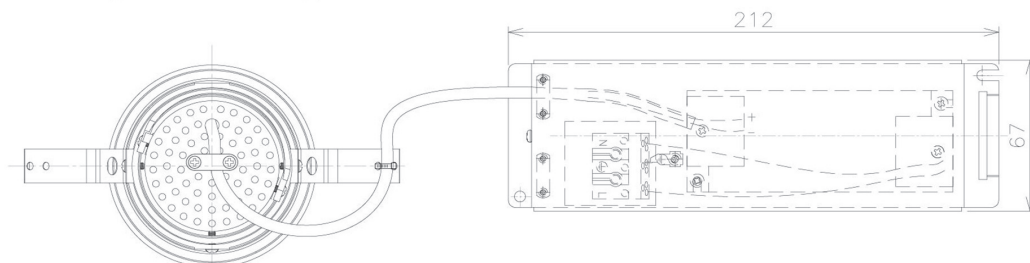
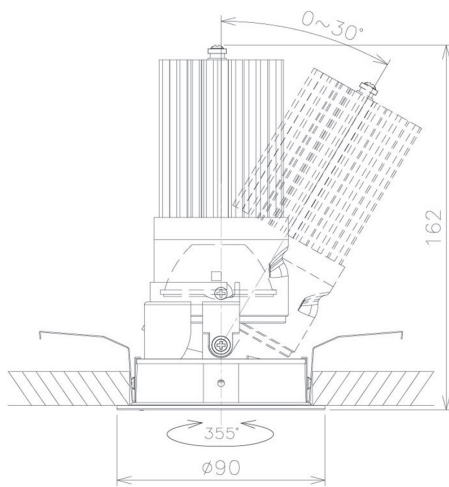
Series Name: Φ 80 Series Lens Type, Antiglare



■ Direct Horizontal Illuminance DD091-2820MW9040

φ	Illuminance Angle	Beam Angle	Vertical Illuminance (lx)
	17°	17°	48960
1			12240
2			5440
3			3060
4			1960
5			1360
6			1000
7			770

Installation	Recessed mount
Type	Φ 80 Series Lens Type, Antiglare
Fixture wattage	28.5W
Beam angle	15 deg
Color Temp.	4000K
CRI	Ra>90
Luminous	1565 lm
Body	Die-cast aluminum alloy
Body finish	N/A
Trim finish	White
Reflector finish	Mirror
IP Rate	IP20
Light source	COB module
Input Voltage	AC220~240V
Dimming Type	Non-Dimmable
Certificate	CE, CCC
Cut Hole	80mm



Height (Weight)	
36.0W	162 (0.7kg)
28.5W	162 (0.7kg)
21.0W	122 (0.6kg)
14.2W	122 (0.6kg)
7.4W	102 (0.6kg)
5.0W	102 (0.4kg)