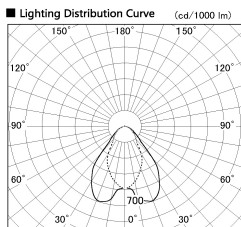


Item no. DD068-6550WW8535D-AS

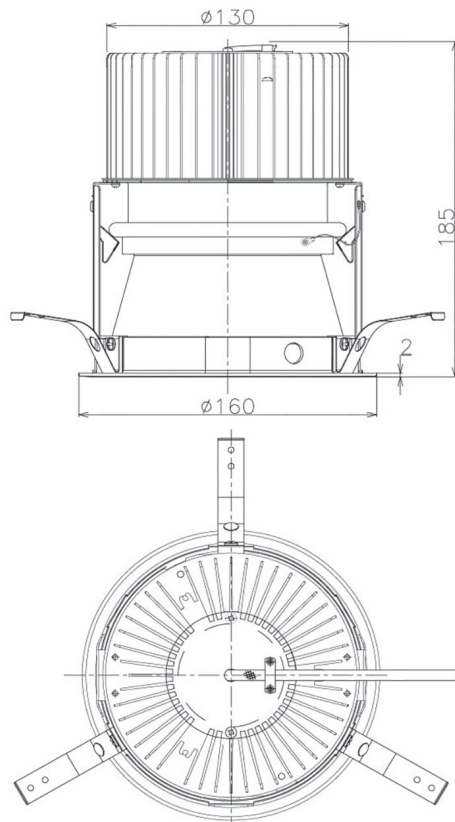
Series Name: Asymmetric



■ Direct Horizontal Illuminance DD068-6550WW8535D-AS

Illuminance Angle	Beam Angle	Vertical Illuminance (lx)
A-A' 70°	80°	8890
B-B' 50°	60°	2220
1	2000	990
2	1000	560
3	500	360
	250	250
	180	180
m	200	140
	0	1
	1	2
	1	2

Installation	Recessed mount
Type	
Fixture wattage	58.5W
Beam angle	80 x 65 deg.
Color Temp.	3500K
CRI	Ra>85
Luminous	4053 lm
Body	Die-cast aluminum alloy
Body finish	N/A
Trim finish	White
Reflector finish	White
IP Rate	IP20
Light source	COB module
Input Voltage	AC220~240V
Dimming Type	Non-Dimmable
Certificate	CE, CCC
Cut Hole	150mm



Height (Weight)	Wide flood
78.7W	177 (1.4kg)
58.5W	177 (1.4kg)
55.0W	177 (1.4kg)
42.8W	157 (1.1kg)
36.0W	157 (1.1kg)