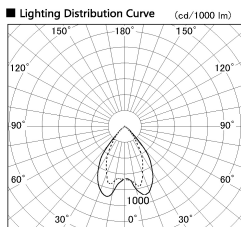


Item no. DD068-8050DW8540D-AS

Series Name: Asymmetric



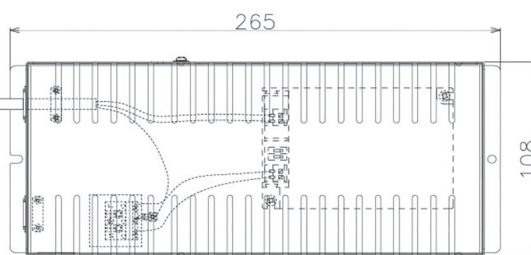
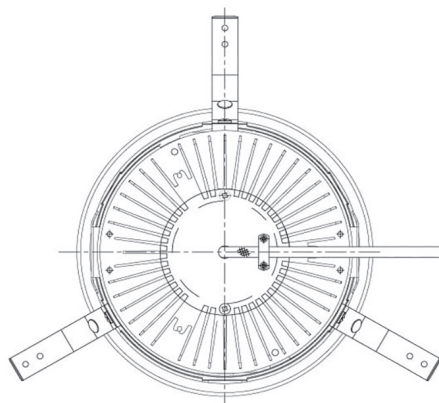
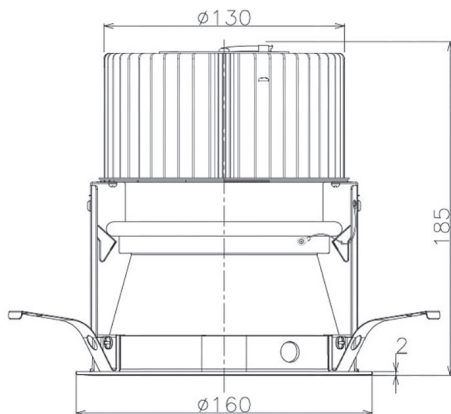
With Dark Mirror Reflector



■ Direct Horizontal Illuminance DD068-8050DW8540D-AS

Illuminance Angle	Beam Angle	Vertical Illuminance (lx)
A-A' 65°	80°	16620
B-B' 55°	65°	4150
1		1850
2		1040
3		660
		460
		340
		260

Installation	Recessed mount
Type	
Fixture wattage	78.7W
Beam angle	78 x 64 deg.
Color Temp.	4000K
CRI	Ra>85
Luminous	6219 lm
Body	Die-cast aluminum alloy
Body finish	N/A
Trim finish	White
Reflector finish	Dark Mirror
IP Rate	IP20
Light source	COB module
Input Voltage	AC220~240V
Dimming Type	Non-Dimmable
Certificate	CE, CCC
Cut Hole	150mm



Height (Weight)	Wide flood
78.7W	177 (1.4kg)
58.5W	177 (1.4kg)
55.0W	177 (1.4kg)
42.8W	157 (1.1kg)
36.0W	157 (1.1kg)