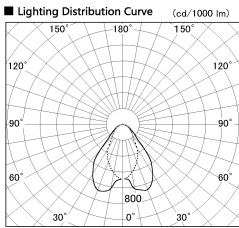


Item no. DD068-8050WW8527D-AS

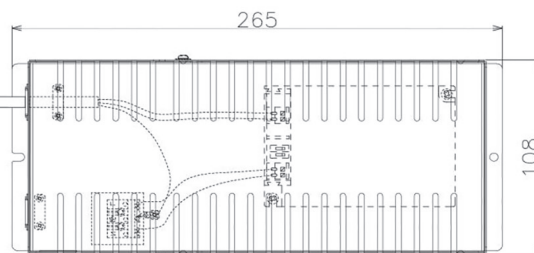
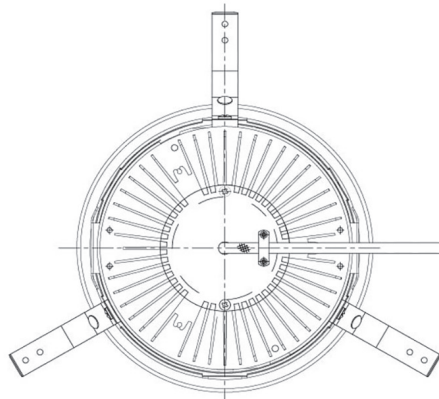
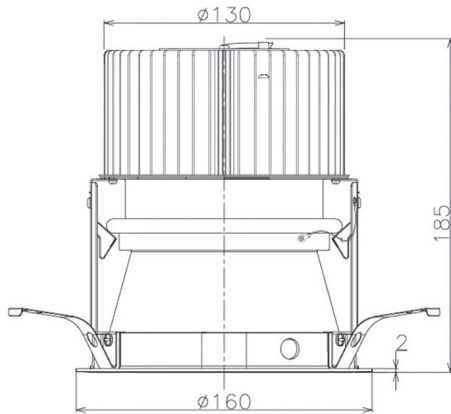
Series Name: Asymmetric



■ Direct Horizontal Illuminance DD068-8050WW8527D-AS

Illuminance Angle	Beam Angle	Vertical Illuminance (lx)
A-A' 70°	85°	11980
B-B' 50°	60°	3000
1		2000
2		1000
3		500
m	1	0
	1	2
		190

Installation	Recessed mount
Type	Asymmetric
Fixture wattage	78.7W
Beam angle	78 x 64 deg.
Color Temp.	2700K
CRI	Ra>85
Luminous	5413 lm
Body	Die-cast aluminum alloy
Body finish	N/A
Trim finish	White
Reflector finish	White
IP Rate	IP20
Light source	COB module
Input Voltage	AC220~240V
Dimming Type	Non-Dimmable
Certificate	CE, CCC
Cut Hole	150mm



Height (Weight)	Wide flood
78.7W	177 (1.4kg)
58.5W	177 (1.4kg)
55.0W	177 (1.4kg)
42.8W	157 (1.1kg)
36.0W	157 (1.1kg)