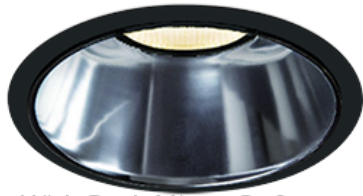
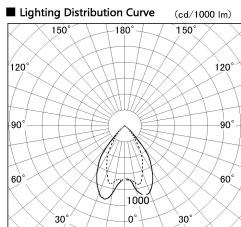


Item no. DD068-6550DB9027D-AS

Series Name: Asymmetric



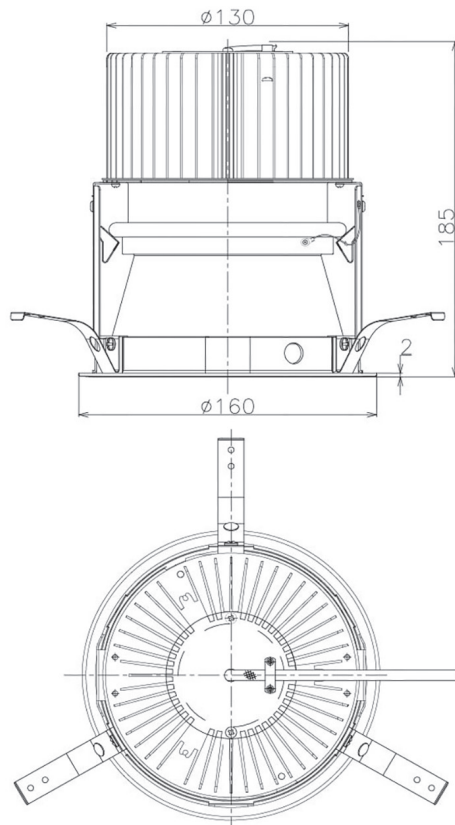
With Dark Mirror Reflector



■ Direct Horizontal Illuminance DD068-6550DB9027D-AS

Illuminance Angle	Beam Angle	Vertical Illuminance (lx)
A-A' 65°	80°	9820
B-B' 55°	65°	2460
1		1090
2		610
3		390
		270
		200
m	1	150

Installation	Recessed mount
Type	
Fixture wattage	58.5W
Beam angle	80 x 65 deg.
Color Temp.	2700K
CRI	Ra>90
Luminous	3660 lm
Body	Die-cast aluminum alloy
Body finish	N/A
Trim finish	Black
Reflector finish	Dark Mirror
IP Rate	IP20
Light source	COB module
Input Voltage	AC220~240V
Dimming Type	Non-Dimmable
Certificate	CE, CCC
Cut Hole	150mm



Height (Weight)	Wide flood
78.7W	177 (1.4kg)
58.5W	177 (1.4kg)
55.0W	177 (1.4kg)
42.8W	157 (1.1kg)
36.0W	157 (1.1kg)

