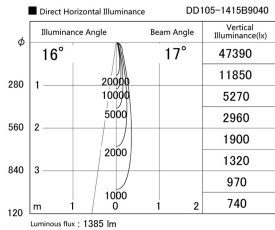
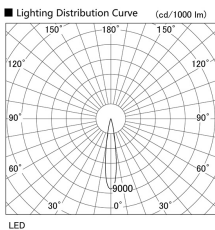
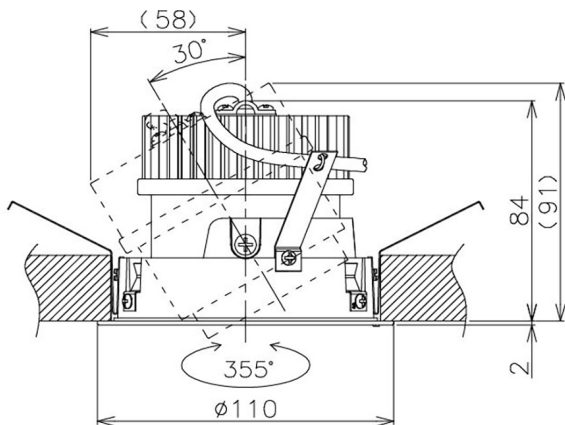


Item no. DD105-1415B9040

Series Name: Φ 100 Lens type Adjustable downlight



| | |
|------------------|-------------------------------------------|
| Installation | Recessed mount |
| Type | Φ 100 Lens type Adjustable downlight |
| Fixture wattage | 14W |
| Beam angle | 17 deg |
| Color Temp. | 4000K |
| CRI | Ra>90 |
| Luminous | 1386 lm |
| Body | Die-cast aluminum alloy |
| Body finish | N/A |
| Trim finish | Black |
| Reflector finish | N/A |
| IP Rate | IP20 |
| Light source | COB module |
| Input Voltage | AC220~240V |
| Dimming Type | Non-Dimmable |
| Certificate | CE, CCC |
| Cut Hole | 100mm |



| Height (Weight) | |
|-----------------|-------------|
| 31.8W | 127 (0.9kg) |
| 24.3W | 127 (0.9kg) |
| 21.0W | 92 (0.8kg) |
| 14.0W | 92 (0.8kg) |

