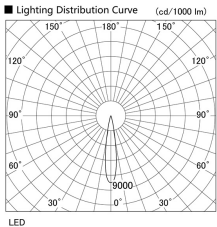


Item no. DD105-2515B9040

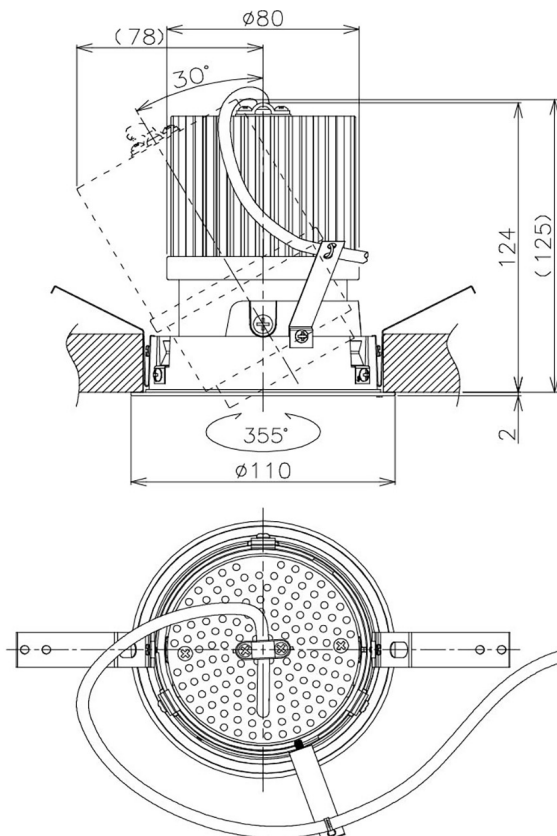
Series Name: Φ 100 Lens type Adjustable downlight



Illuminance Angle	Beam Angle	Vertical Illuminance (lx)
18°	17°	69920
		17480
		7770
		4370
		2800
		1940
		1430
		1090

Luminous flux : 2145 lm

Installation	Recessed mount
Type	Φ 100 Lens type Adjustable downlight
Fixture wattage	24.3W
Beam angle	17 deg
Color Temp.	4000K
CRI	Ra>90
Luminous	2144 lm
Body	Die-cast aluminum alloy
Body finish	N/A
Trim finish	Black
Reflector finish	N/A
IP Rate	IP20
Light source	COB module
Input Voltage	AC220~240V
Dimming Type	Non-Dimmable
Certificate	CE, CCC
Cut Hole	100mm



Height (Weight)	
31.8W	127 (0.9kg)
24.3W	127 (0.9kg)
21.0W	92 (0.8kg)
14.0W	92 (0.8kg)