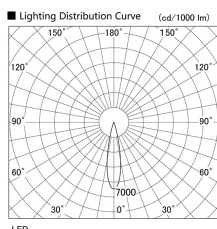


Item no. DD105-2520MW9027

Series Name: Φ 100 Lens type Adjustable downlight, Antiglare

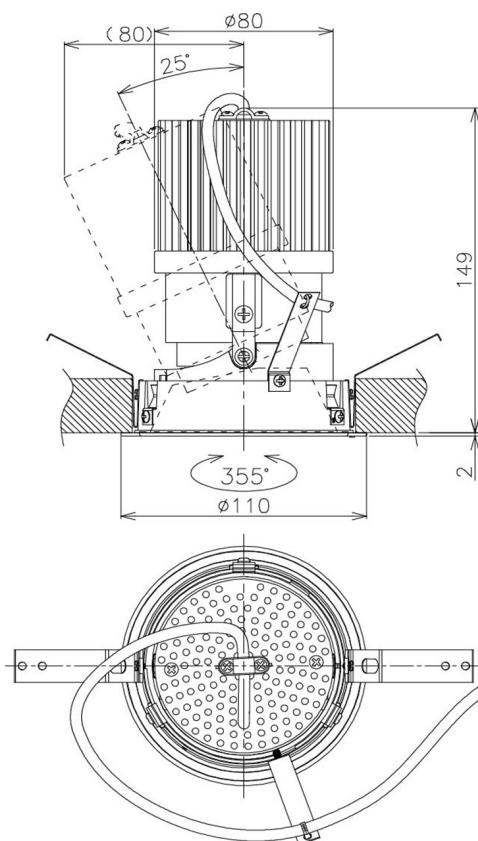


■ Direct Horizontal Illuminance DD105-2520MW9027

Illuminance Angle	Beam Angle	Vertical Illuminance (lx)
ϕ 21°	22°	51130
370	1	12780
740	2	5680
110	3	3200
140	4	2050
170	5	1420
200	6	1040
230	7	800

Luminous flux : 2035 lm

Installation	Recessed mount
Type	
Fixture wattage	24.3W
Beam angle	22 deg
Color Temp.	2700K
CRI	Ra>90
Luminous	2036 lm
Body	Die-cast aluminum alloy
Body finish	N/A
Trim finish	White
Reflector finish	Mirror
IP Rate	IP20
Light source	COB module
Input Voltage	AC220~240V
Dimming Type	Non-Dimmable
Certificate	CCC
Cut Hole	100mm



Height (Weight)	
31.8W	152 (0.9kg)
24.3W	152 (0.9kg)
21.0W	115 (0.8kg)
14.0W	115 (0.8kg)