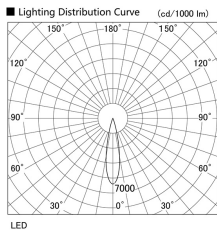


Item no. DD105-2520DB9040

Series Name: Φ 100 Lens type Adjustable downlight, Antiglare



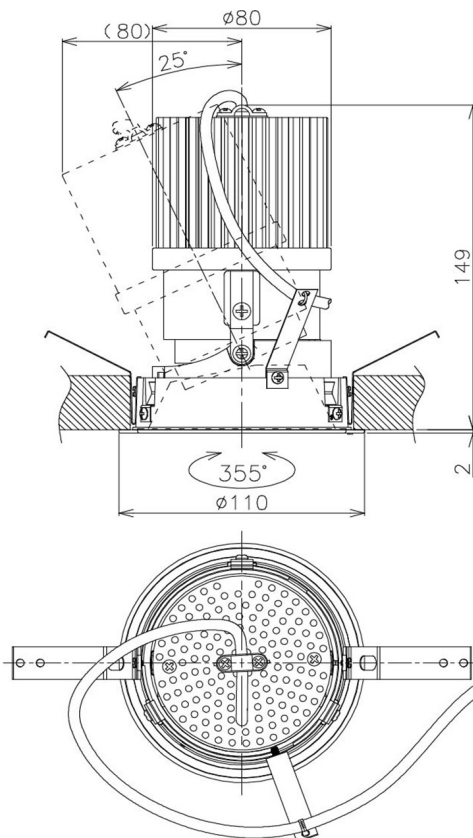
With Dark Mirror Reflector



Illuminance Angle	Beam Angle	Vertical Illuminance (lx)
ϕ 21°	22°	54160
370		13540
1		6020
2		3380
740		2170
3		1500
110		1110
480		850
m	1 1 0 0 1 2	

Luminous flux : 2185 lm

Installation	Recessed mount
Type	
Fixture wattage	24.3W
Beam angle	22 deg
Color Temp.	4000K
CRI	Ra>90
Luminous	2185 lm
Body	Die-cast aluminum alloy
Body finish	N/A
Trim finish	Black
Reflector finish	Dark Mirror
IP Rate	IP20
Light source	COB module
Input Voltage	AC220~240V
Dimming Type	Non-Dimmable
Certificate	CE, CCC
Cut Hole	100mm



Height (Weight)	
31.8W	152 (0.9kg)
24.3W	152 (0.9kg)
21.0W	115 (0.8kg)
14.0W	115 (0.8kg)