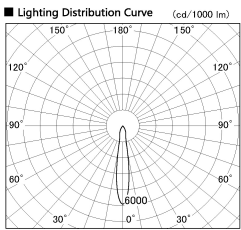


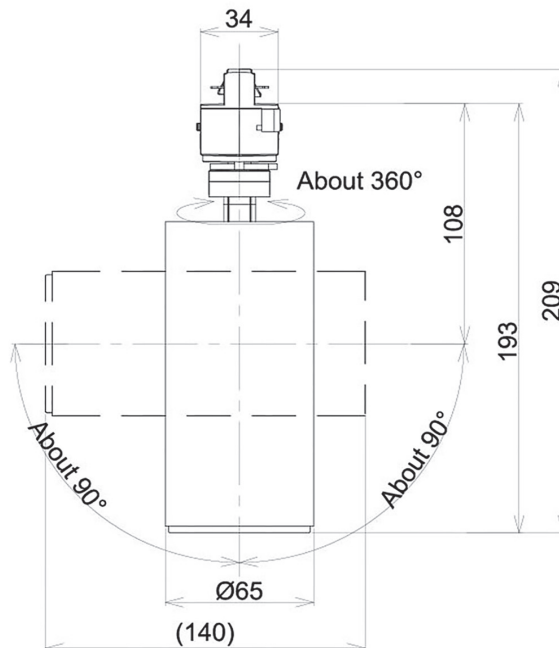
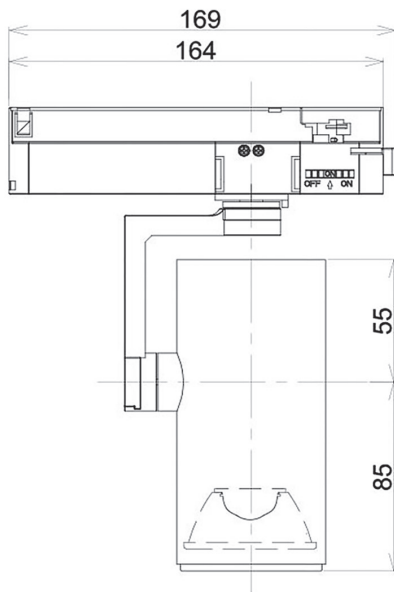
Item no. SD356-1415W9027-IK

Series Name: Cylinder Arm Reflector in-track tracklight.(SD356-IK)



■ Direct Horizontal Illuminance SD356-1415W9027-IK

| φ | Illuminance Angle | Beam Angle | Vertical Illuminance(lx) |
|------|-------------------|------------|--------------------------|
| 1 | 16° | 16° | 23990 |
| 280 | | | 6000 |
| 1 | | | 2670 |
| 560 | | | 1500 |
| 2 | | | 960 |
| 840 | | | 670 |
| 3 | | | 490 |
| 1120 | | | 370 |
| m | | | |



| | |
|------------------|---|
| Installation | Track mount |
| Type | Cylinder Arm Reflector in-track tracklight.(SD356-IK) |
| Fixture wattage | 14W |
| Beam angle | 16 deg |
| Color Temp. | 2700K |
| CRI | Ra>90 |
| Luminous | 1011 lm |
| Body | Die-cast aluminum alloy |
| Body finish | White |
| Trim finish | White |
| Reflector finish | N/A |
| IP Rate | IP20 |
| Light source | COB module |
| Input Voltage | AC220~240V |
| Dimming Type | Non-Dimmable |
| Certificate | CE, CCC |
| Cut Hole | N/A |