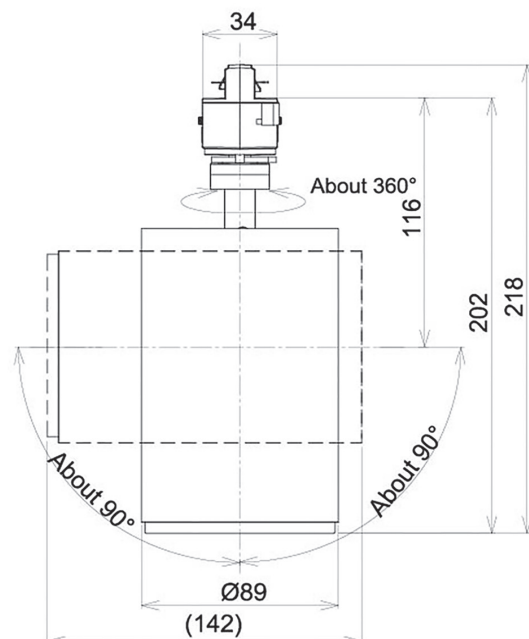
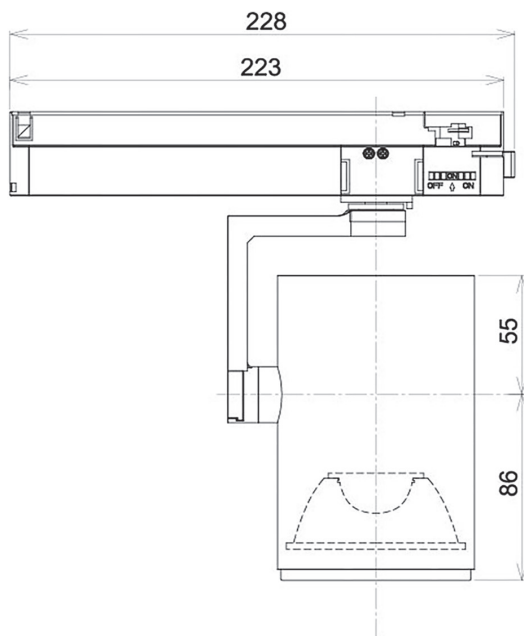
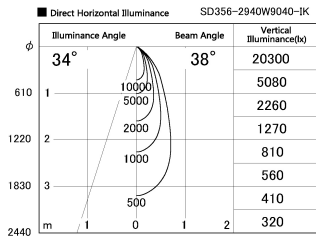
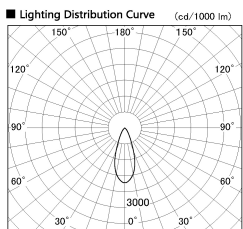


Item no. SD356-2940W9040-IK

Series Name: Cylinder Arm Reflector in-track tracklight.(SD356-IK)



|                  |                         |
|------------------|-------------------------|
| Installation     | Track mount             |
| Type             |                         |
| Fixture wattage  | 31.8W                   |
| Beam angle       | 38 deg                  |
| Color Temp.      | 4000K                   |
| CRI              | Ra>90                   |
| Luminous         | 2463 lm                 |
| Body             | Die-cast aluminum alloy |
| Body finish      | White                   |
| Trim finish      | White                   |
| Reflector finish | N/A                     |
| IP Rate          | IP20                    |
| Light source     | COB module              |
| Input Voltage    | AC220~240V              |
| Dimming Type     | Non-Dimmable            |
| Certificate      | CE, CCC                 |
| Cut Hole         | N/A                     |