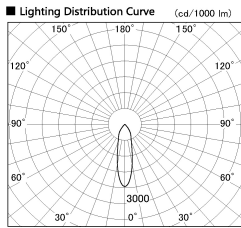


Item no. DD138-5020MW9027

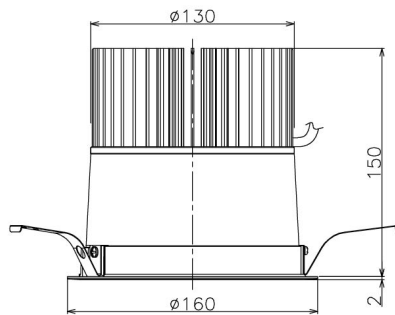
Series Name:  $\Phi$ 150 Spark (DD138)



■ Direct Horizontal Illuminance DD138-5020MW9027

Illuminance Angle	Beam Angle	Vertical Illuminance (lx)
24°	1	59140
	2	14790
26°	1	6570
	2	3700
	3	2370
	4	1640
	5	1210
	6	920

Installation	Recessed mount
Type	$\Phi$ 150 Spark (DD138)
Fixture wattage	48.5W
Beam angle	26deg
Color Temp.	2700K
CRI	Ra>90
Luminous	6268 lm
Body	Die-cast aluminum alloy
Body finish	N/A
Trim finish	White
Reflector finish	Mirror
IP Rate	IP20
Light source	COB module
Input Voltage	AC220~240V
Dimming Type	Non-Dimmable
Certificate	CE,CCC
Cut Hole	150



Height (Weight)	
48.5W	130 (1.3kg)
41.0W	130 (1.3kg)
28.0W	130 (1.3kg)
23.0W	100 (1.0kg)
20.0W	100 (1.0kg)

