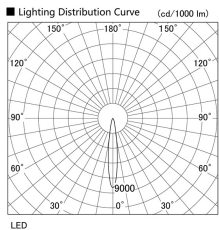


Item no. DD098-2515DW9040D

Series Name:  $\Phi$ 150 Spark (Deep Cone)



White Reflector

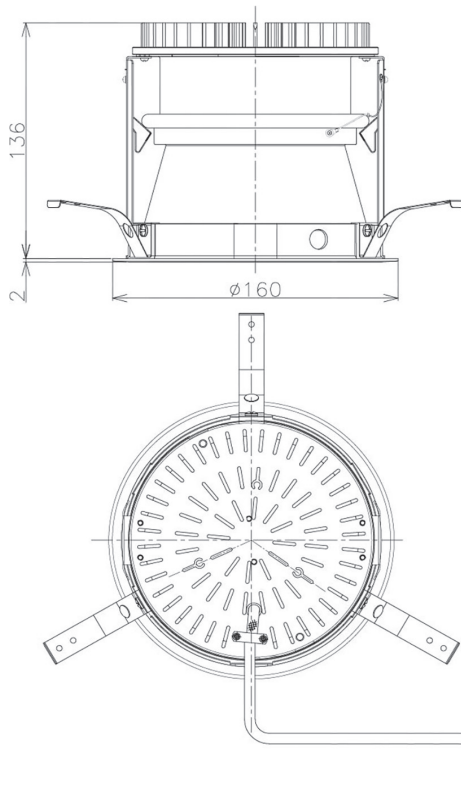


■ Direct Horizontal Illuminance DD098-2515DW9040D

Illuminance Angle	Beam Angle	Vertical Illuminance(cd)
$\phi$ 14°	15°	66110
1		16530
2		7350
3		4130
4		2640
5		1840
6		1350
7		1030

Luminous flux : 1965 lm

Installation	Recessed mount
Type	
Fixture wattage	23W
Beam angle	15 deg
Color Temp.	4000K
CRI	Ra>85
Luminous	1965 lm
Body	Die-cast aluminum alloy
Body finish	N/A
Trim finish	White
Reflector finish	White
IP Rate	IP20
Light source	COB module
Input Voltage	AC220~240V
Dimming Type	Non-Dimmable
Certificate	CE, CCC
Cut Hole	150mm



Height (Weight)	Spot / Medium / Medium flood	Wide flood
65.3W	177 (1.4kg)	
48.5W	177 (1.5kg)	
44.3W	157 (1.2kg)	
33.8W	168 (1.1kg)	157 (1.1kg)
30.3W	168 (1.1kg)	157 (1.1kg)
23.0W	138 (0.9kg)	127 (0.9kg)