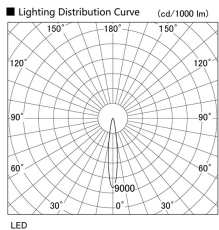


Item no. DD098-3015DW8530D

Series Name: Φ 150 Spark (Deep Cone)



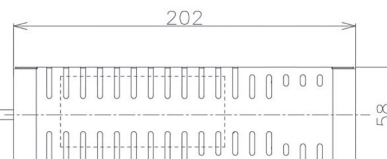
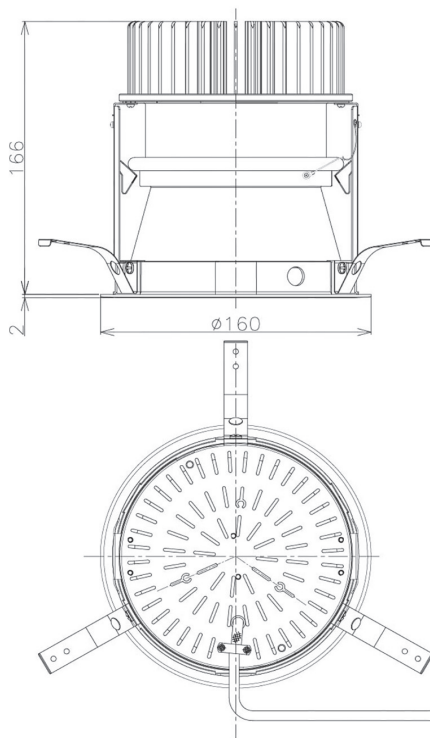
White Reflector



Direct Horizontal Illuminance		DD098-3015DW8530D	
Illuminance Angle	Beam Angle	Vertical Illuminance (lx)	
ϕ 14°	15°	94440	23610
240	1	10490	5900
490	2	3780	2620
980	3	1930	1480
m	1	2000	1
	2	1480	

Luminous flux : 2805 lm

Installation	Recessed mount
Type	Φ 150 Spark (Deep Cone)
Fixture wattage	30.3W
Beam angle	15 deg
Color Temp.	3000K
CRI	Ra>85
Luminous	2807 lm
Body	Die-cast aluminum alloy
Body finish	N/A
Trim finish	White
Reflector finish	White
IP Rate	IP20
Light source	COB module
Input Voltage	AC220~240V
Dimming Type	Non-Dimmable
Certificate	CE, CCC
Cut Hole	150mm



Height (Weight)	Spot / Medium / Medium flood	Wide flood
65.3W	177 (1.4kg)	
48.5W	177 (1.5kg)	
44.3W	157 (1.2kg)	
33.8W	168 (1.1kg)	157 (1.1kg)
30.3W	168 (1.1kg)	157 (1.1kg)
23.0W	138 (0.9kg)	127 (0.9kg)