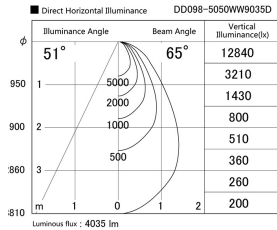
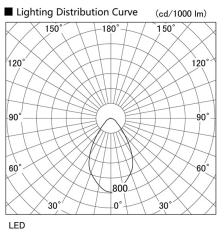


Item no. DD098-5050WW9035D

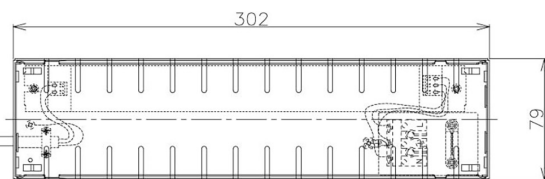
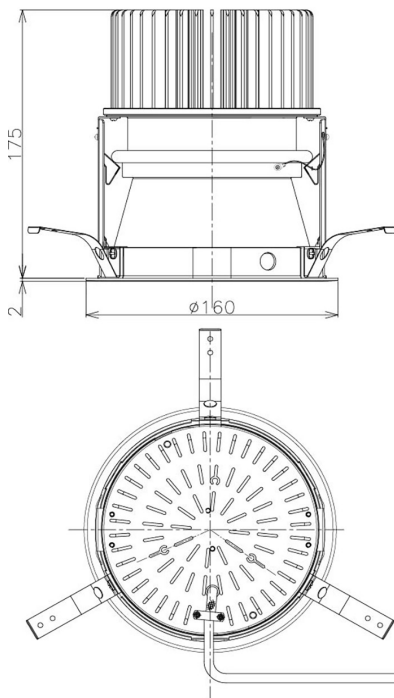
Series Name:  $\Phi$ 150 Spark (Deep Cone)



Dark Mirror Reflector



|                  |                              |
|------------------|------------------------------|
| Installation     | Recessed mount               |
| Type             | $\Phi$ 150 Spark (Deep Cone) |
| Fixture wattage  | 48.5W                        |
| Beam angle       | 60 deg                       |
| Color Temp.      | 3500K                        |
| CRI              | Ra>90                        |
| Luminous         | 4035 lm                      |
| Body             | Die-cast aluminum alloy      |
| Body finish      | N/A                          |
| Trim finish      | White                        |
| Reflector finish | Dark Mirror                  |
| IP Rate          | IP20                         |
| Light source     | COB module                   |
| Input Voltage    | AC220~240V                   |
| Dimming Type     | Non-Dimmable                 |
| Certificate      | CE, CCC                      |
| Cut Hole         | 150mm                        |



| Height (Weight) | Spot / Medium / Medium flood | Wide flood  |
|-----------------|------------------------------|-------------|
| 65.3W           | 177 (1.4kg)                  |             |
| 48.5W           | 177 (1.5kg)                  |             |
| 44.3W           | 157 (1.2kg)                  |             |
| 33.8W           | 168 (1.1kg)                  | 157 (1.1kg) |
| 30.3W           | 168 (1.1kg)                  | 157 (1.1kg) |
| 23.0W           | 138 (0.9kg)                  | 127 (0.9kg) |