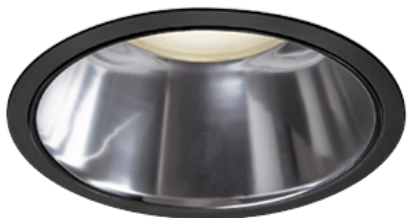
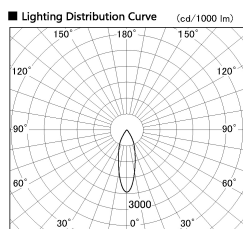


Item no. DD138-4530MB9030D

Series Name: Φ 150 Spark (Deep Cone)
(DD138D)

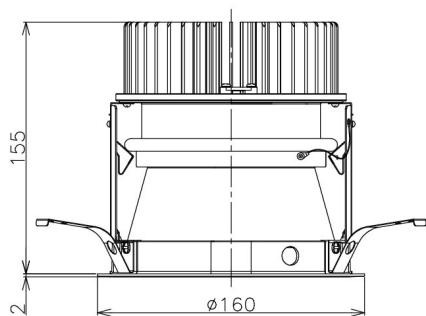


Installation	Recessed Mount
Type	Φ 150 Spark (Deep Cone) (DD138D)
Fixture wattage	41W
Beam angle	30 deg
Color Temp.	3000K
CRI	Ra>90
Luminous	4610 lm
Body	Die-castaluminumalloy
Body finish	Black
Trim finish	Black
Reflector finish	Mirror
IP Rate	IP20
Light source	COB module
Input Voltage	AC220~240V
Dimming Type	Non-Dimmable
Certificate	CE,CCC
Cut Hole	150



Direct Horizontal Illuminance DD138-4530MB9030D

Illuminance Angle	Beam Angle	Vertical Illuminance (lx)
27°	30°	43400
1		10850
2		4820
3		2710
1440		1740
1920		1210
		890
		680



Height (Weight)	Spot / Medium / Medium flood	Wide flood
46.5W	175 (1.4kg)	
41.0W	155 (1.1kg)	
28.0W	166 (1.1kg)	155 (1.1kg)
23.0W	136 (0.9kg)	125 (0.9kg)
20.0W	136 (0.9kg)	125 (0.9kg)

