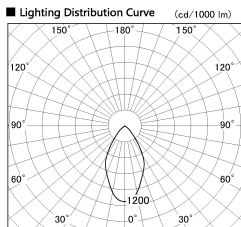
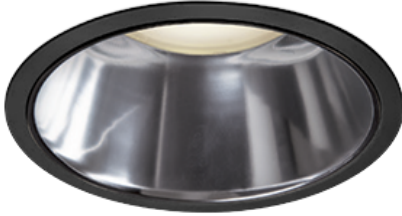


Item no. DD138-4550MB9035D

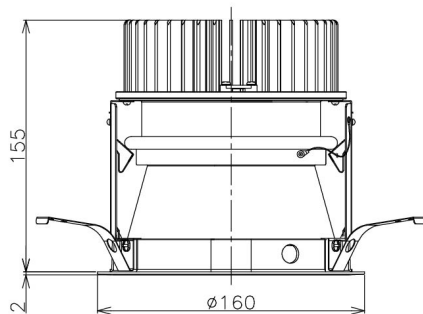
Series Name: Φ 150 Spark (Deep Cone)
(DD138D)



■ Direct Horizontal Illuminance DD138-4550MB9035D

Illuminance Angle	Beam Angle	Vertical Illuminance (lx)
45°	0	20910
	1	5230
	2	2320
	3	1310
	m	330
55°	0	20910
	1	5230
	2	2320
	3	1310
	m	330

Installation	Recessed Mount
Type	Φ 150 Spark (Deep Cone) (DD138D)
Fixture wattage	41W
Beam angle	37 deg
Color Temp.	3500K
CRI	Ra>90
Luminous	4935 lm
Body	Die-cast aluminum alloy
Body finish	Black
Trim finish	Black
Reflector finish	Mirror
IP Rate	IP20
Light source	COB module
Input Voltage	AC220~240V
Dimming Type	Non-Dimmable
Certificate	CE,CCC
Cut Hole	150



Height (Weight)	Spot / Medium / Medium flood	Wide flood
48.5W	175 (1.4kg)	
41.0W	155 (1.1kg)	
28.0W	166 (1.1kg)	155 (1.1kg)
23.0W	136 (0.9kg)	125 (0.9kg)
20.0W	136 (0.9kg)	125 (0.9kg)

