

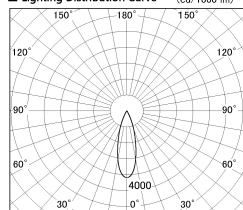
Item no. DD187-0635B9040

Series Name: Cledy Micro Pull-out (DD187)

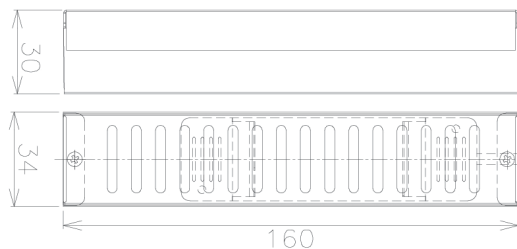
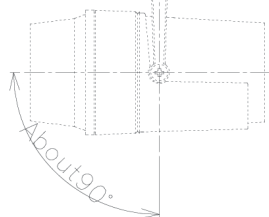
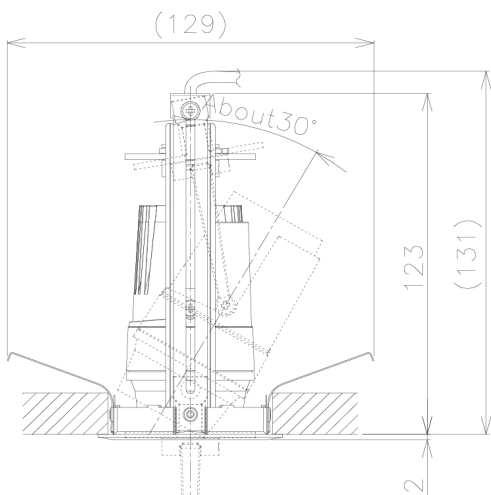
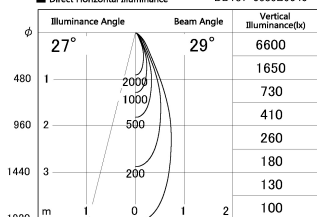


Installation	Recessed mount		
Type	Cledy	Micro	Pull-out (DD187)
Fixture wattage	6W		
Beam angle	29deg		
Color Temp.	4000K		
CRI	Ra>90		
Luminous	492 lm		
Body	Die-castaluminumalloy		
Body finish	Black		
Trim finish	N/A		
Reflector finish	N/A		
IP Rate	IP20		
Light source	COB module		
Input Voltage	AC220~240V		
Dimming Type	Non-Dimmable		
Certificate	CE,CCC		
Cut Hole	60mm		

■ Lighting Distribution Curve (cd/1000 lm)



■ Direct Horizontal Illuminance DD187-0635B9040



200±20

