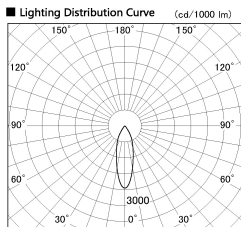


Item no. DD138-4530MW9027D

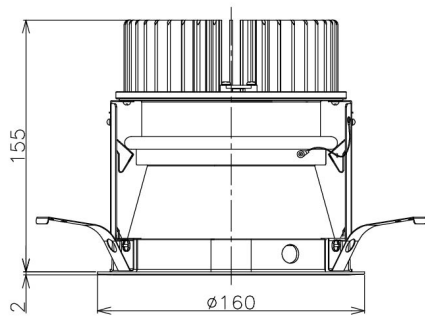
Series Name: Cledy spark (Deep cone)  
(DD138D)



■ Direct Horizontal Illuminance DD138-4530MW9027D

Illuminance Angle	Beam Angle	Vertical Illuminance (lx)
27°	30°	42530
		10630
		4730
		2660
		1700
		1180
1920 m	1	870
		660
		660

Installation	Recessed Mount	
Type	High-efficiency downlight $\Phi$ 150	Fixed
Fixture wattage	41W	
Beam angle	30 deg	
Color Temp.	2700K	
CRI	Ra>90	
Luminous	4518 lm	
Body	Die-castaluminumalloy	
Body finish	White	
Trim finish	White	
Reflector finish	Mirror	
IP Rate	IP20	
Light source	COB module	
Input Voltage	AC220~240V	
Dimming Type	Non-Dimmable	
Certificate	CE,CCC	
Cut Hole	150	



Height (Weight)	Spot / Medium / Medium flood	Wide flood
48.5W	175 (1.4kg)	
41.0W	155 (1.1kg)	
28.0W	166 (1.1kg)	155 (1.1kg)
23.0W	136 (0.9kg)	125 (0.9kg)
20.0W	136 (0.9kg)	125 (0.9kg)

