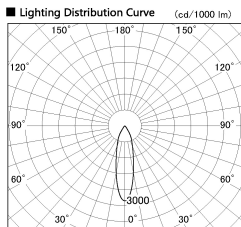


Item no. DD138-4520MB9027D

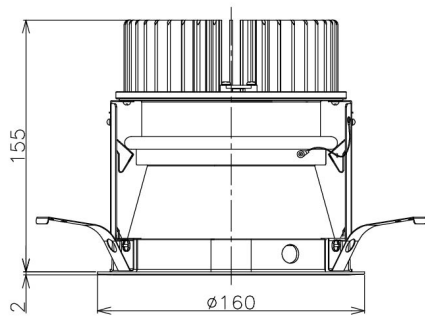
Series Name: Cledy spark (Deep cone)  
(DD138D)



■ Direct Horizontal Illuminance DD138-4520MB9027D

Illuminance Angle	Beam Angle	Vertical Illuminance (lx)
24°	26°	51040
		12760
		5670
		3190
		2040
		1420
		1040
		800

Installation	Recessed Mount	
Type	High-efficiency downlight $\Phi$ 150	Fixed
Fixture wattage	41W	
Beam angle	26 deg	
Color Temp.	2700K	
CRI	Ra>90	
Luminous	4497 lm	
Body	Die-cast aluminum alloy	
Body finish	Black	
Trim finish	Black	
Reflector finish	Mirror	
IP Rate	IP20	
Light source	COB module	
Input Voltage	AC220~240V	
Dimming Type	Non-Dimmable	
Certificate	CE,CCC	
Cut Hole	150	



Height (Weight)	Spot / Medium / Medium flood	Wide flood
48.5W	175 (1.4kg)	
41.0W	155 (1.1kg)	
28.0W	166 (1.1kg)	155 (1.1kg)
23.0W	136 (0.9kg)	125 (0.9kg)
20.0W	136 (0.9kg)	125 (0.9kg)

