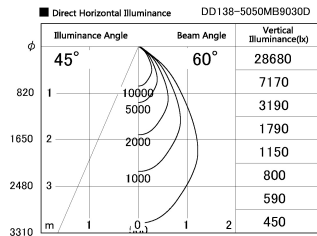
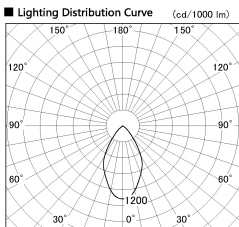
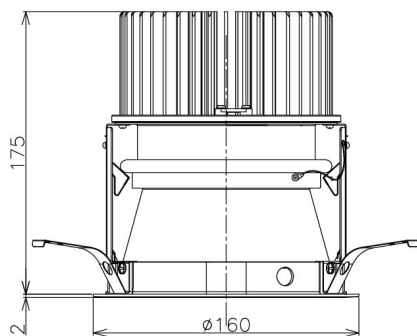


Item no. DD138-5050MB9030D

Series Name: Cledy spark (Deep cone)
(DD138D)



| | | |
|------------------|---|-------|
| Installation | Recessed Mount | |
| Type | High-efficiency downlight Φ 150 | Fixed |
| Fixture wattage | 48.5W | |
| Beam angle | 40 deg | |
| Color Temp. | 3000K | |
| CRI | Ra>90 | |
| Luminous | 6692 lm | |
| Body | Die-castaluminumalloy | |
| Body finish | Black | |
| Trim finish | Black | |
| Reflector finish | Mirror | |
| IP Rate | IP20 | |
| Light source | COB module | |
| Input Voltage | AC220~240V | |
| Dimming Type | Non-Dimmable | |
| Certificate | CE,CCC | |
| Cut Hole | 150 | |



| Height (Weight) | Spot / Medium / Medium flood | Wide flood |
|-----------------|------------------------------|-------------|
| 48.5W | 175 (1.4kg) | |
| 41.0W | 155 (1.1kg) | |
| 28.0W | 166 (1.1kg) | 155 (1.1kg) |
| 23.0W | 136 (0.9kg) | 125 (0.9kg) |
| 20.0W | 136 (0.9kg) | 125 (0.9kg) |

