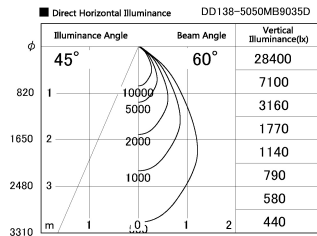
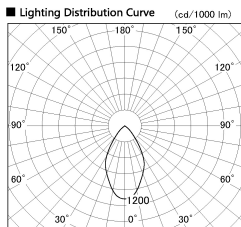
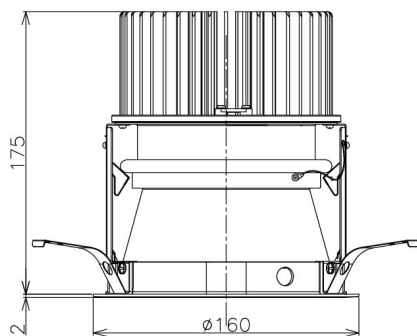


Item no. DD138-5050MB9035D

Series Name: Cledy spark (Deep cone)  
(DD138D)



|                  |                                   |       |
|------------------|-----------------------------------|-------|
| Installation     | Recessed Mount                    |       |
| Type             | High-efficiency<br>downlight Φ150 | Fixed |
| Fixture wattage  | 48.5W                             |       |
| Beam angle       | 40 deg                            |       |
| Color Temp.      | 3500K                             |       |
| CRI              | Ra>90                             |       |
| Luminous         | 6625 lm                           |       |
| Body             | Die-castaluminumalloy             |       |
| Body finish      | Black                             |       |
| Trim finish      | Black                             |       |
| Reflector finish | Mirror                            |       |
| IP Rate          | IP20                              |       |
| Light source     | COB module                        |       |
| Input Voltage    | AC220~240V                        |       |
| Dimming Type     | Non-Dimmable                      |       |
| Certificate      | CE,CCC                            |       |
| Cut Hole         | 150                               |       |



| Height (Weight) | Spot / Medium / Medium flood | Wide flood  |
|-----------------|------------------------------|-------------|
| 48.5W           | 175 (1.4kg)                  |             |
| 41.0W           | 155 (1.1kg)                  |             |
| 28.0W           | 166 (1.1kg)                  | 155 (1.1kg) |
| 23.0W           | 136 (0.9kg)                  | 125 (0.9kg) |
| 20.0W           | 136 (0.9kg)                  | 125 (0.9kg) |

