

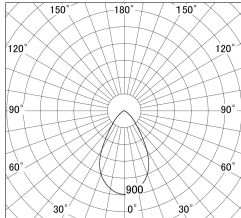
Item no. DD139-2550WB9040D

Series Name: Cledy spark (Deep cone)  
(DD139\_D)

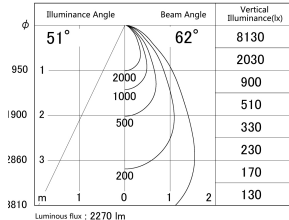


White Reflector

■ Lighting Distribution Curve (cd/1000 lm)

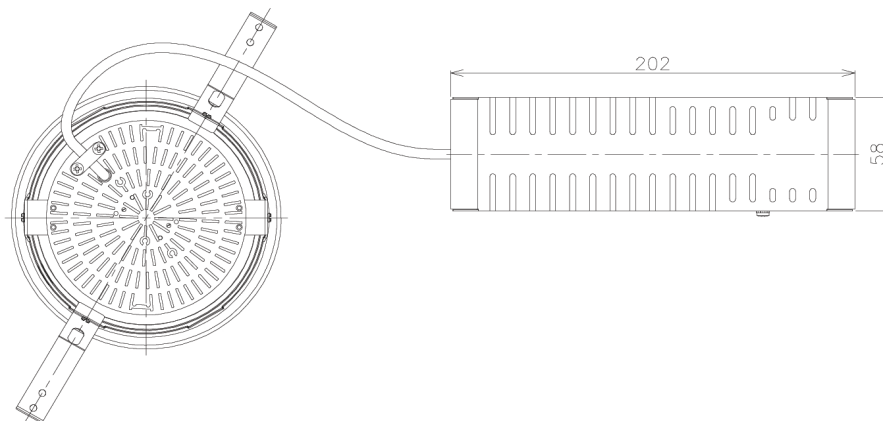
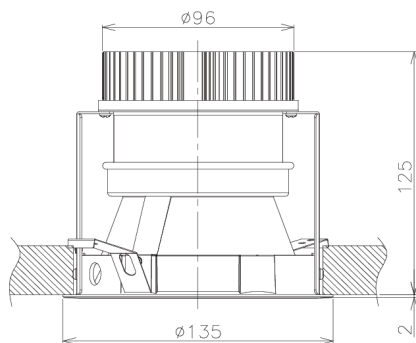


■ Direct Horizontal Illuminance DD139-2550WB9040D



Luminous flux : 2270 lm

φ 96



Installation	Recessed mount
Type	Fixed downlight Φ125
Fixture wattage	24W
Beam angle	62
Color Temp.	4000K
CRI	Ra>90
Luminous	2269 lm
Body	Die-cast aluminum alloy
Body finish	N/A
Trim finish	Black
Reflector finish	White
IP Rate	IP20
Light source	COB module
Input Voltage	AC220~240V
Dimming Type	Non-Dimmable
Certificate	CE,CCC
Cut Hole	125mm