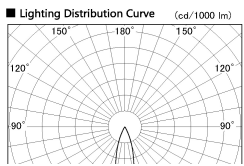


Item no. DD187-0635W9027

Series Name: Cledy Micro (DD187)

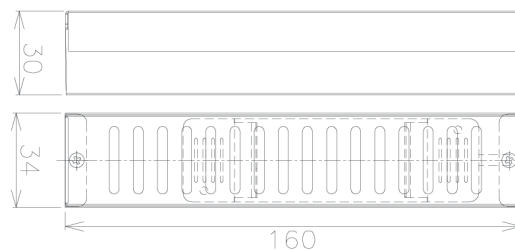
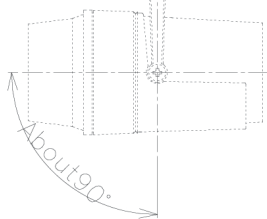
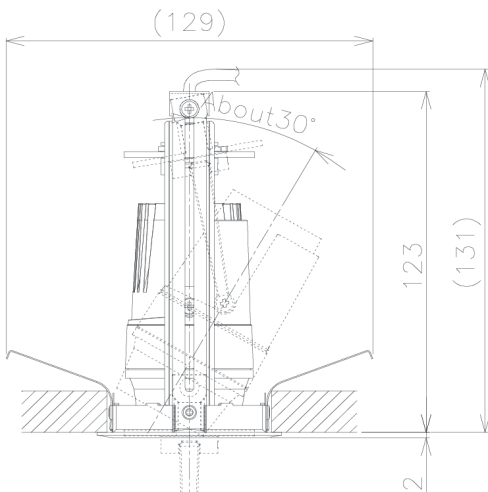


Installation	Recessed mount
Type	Φ60 Pull out downlight
Fixture wattage	6W
Beam angle	29deg
Color Temp.	2700K
CRI	Ra>90
Luminous	445 lm
Body	Die-castaluminumalloy
Body finish	White
Trim finish	N/A
Reflector finish	N/A
IP Rate	IP20
Light source	COB module
Input Voltage	AC220~240V
Dimming Type	Non-Dimmable
Certificate	CE,CCC
Cut Hole	60mm



■ Direct Horizontal Illuminance DD187-0635W9027

Illuminance Angle	Beam Angle	Vertical Illuminance(lx)
27°	29°	5970
480	1	1490
1	2000	660
1000		370
960	2	240



200±20

