

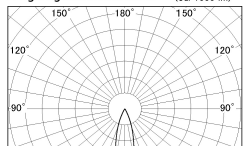
Item no. DD187-0635B9027

Series Name: Cledy Micro (DD187)



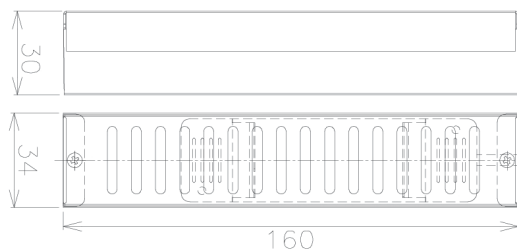
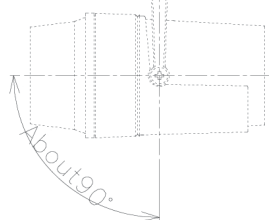
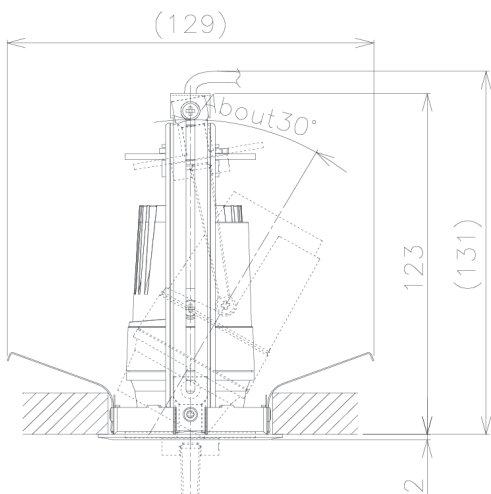
|                  |                        |
|------------------|------------------------|
| Installation     | Recessed mount         |
| Type             | Φ60 Pull out downlight |
| Fixture wattage  | 6W                     |
| Beam angle       | 29deg                  |
| Color Temp.      | 2700K                  |
| CRI              | Ra>90                  |
| Luminous         | 445 lm                 |
| Body             | Die-castaluminumalloy  |
| Body finish      | Black                  |
| Trim finish      | N/A                    |
| Reflector finish | N/A                    |
| IP Rate          | IP20                   |
| Light source     | COB module             |
| Input Voltage    | AC220~240V             |
| Dimming Type     | Non-Dimmable           |
| Certificate      | CE,CCC                 |
| Cut Hole         | 60mm                   |

■ Lighting Distribution Curve (cd/1000 lm)



■ Direct Horizontal Illuminance DD187-0635B9027

| φ   | Illuminance Angle | Beam Angle | Vertical Illuminance(lx) |
|-----|-------------------|------------|--------------------------|
|     | 27°               | 29°        | 5970                     |
| 480 |                   |            | 1490                     |
| 1   |                   |            | 660                      |
|     |                   |            | 370                      |
| 960 |                   |            | 240                      |



200±20

