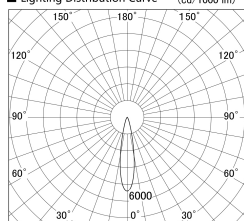


Item no. SD279-2020B9035

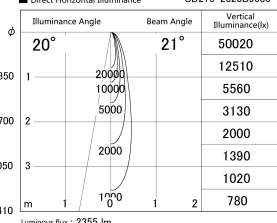
Series Name: AMMA High Power compact tracklight (SD279)



■ Lighting Distribution Curve (cd/1000 lm)



■ Direct Horizontal Illuminance SD279-2020B9035



φ

350

700

1050

1410

m

1

2

3

1°

2°

3°

4°

5°

6°

8°

10°

15°

20°

30°

45°

60°

90°

120°

150°

180°

150°

120°

90°

60°

30°

0°

30°

60°

90°

120°

150°

180°

150°

120°

90°

60°

30°

0°

30°

60°

90°

120°

150°

180°

150°

120°

90°

60°

30°

0°

30°

60°

90°

120°

150°

180°

150°

120°

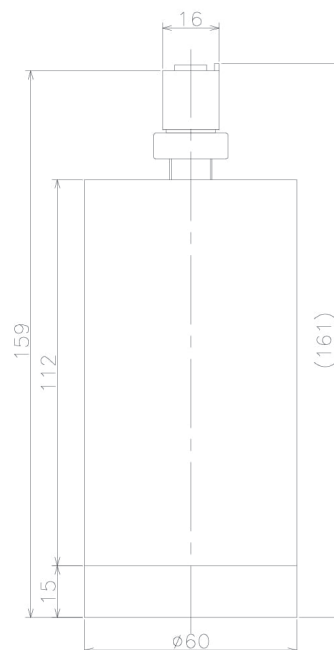
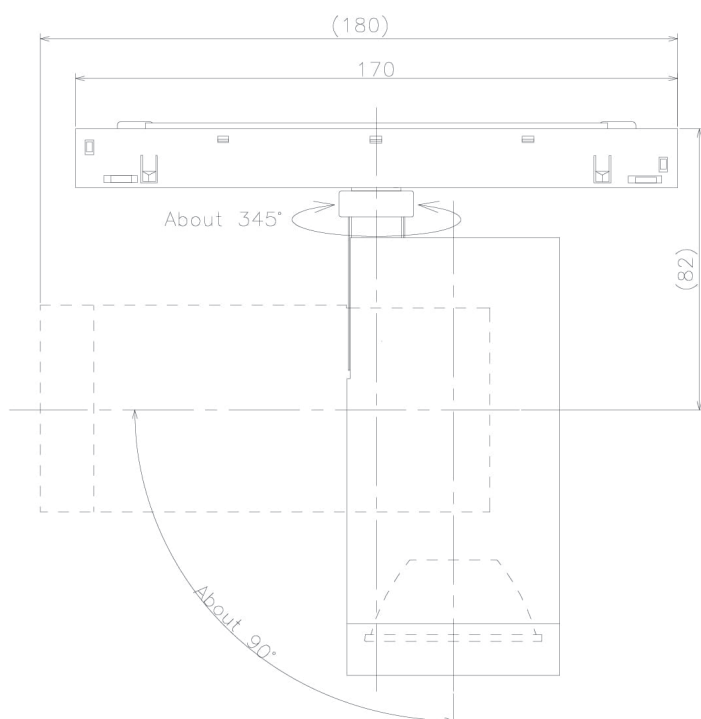
90°

60°

30°

0°

30°



Installation	Track light
Type	Lens type Cylinder tracklight type (DC 48V)
Fixture wattage	21W
Beam angle	21deg
Color Temp.	3500K
CRI	Ra>90
Luminous	2354 lm
Body	Die-cast aluminum alloy
Body finish	Black
Trim finish	Black
Reflector finish	N/A
IP Rate	IP20
Light source	COB module
Input Voltage	DC 48V
Dimming Type	Non-dimmable
Certificate	CE, CCC
Cut Hole	N/A